

For sealed heating (acc. to EN12828) and cooling installations.

When the temperature in the installation rises, the system water will expand. The 'expansion water' is stored temporarily in the expansion vessel to keep the pressure in the installation at the correct level. Each vessel is factory tested.

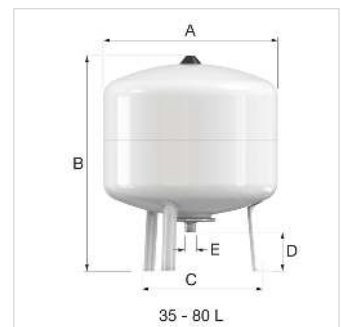
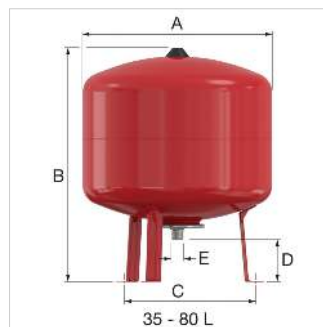
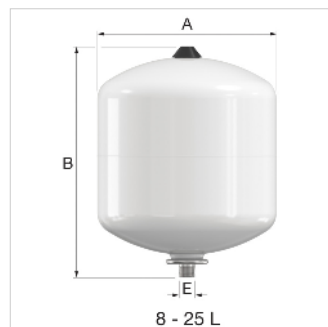
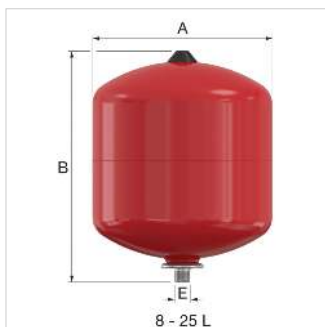


Advantages


- The thread of the system connection is uncoated, ensuring problem free connection.
- The fixed bag-type diaphragm prevents the water to come in contact with the bare steel of the vessel.
- Nitrogen gas filling for longer maintenance of pre-pressure.

Technical Specifications

- Maximum working pressure: 6.0 bar.
- Red (RAL 3002) epoxy powder coating (also available in white (RAL9010)).
- Vessels in accordance with EN13831.
- Suitable for systems with a maximum system temperature of 120 °C.
- Min. / max. temperature diaphragm: -10 / 70 °C.
- Diaphragm: EPDM.
- All welded construction.
- Zinc plated flange.
- Suitable for addition of glycol-based anti-freeze up to 50%.
- In accordance with Pressure Equipment Directive 2014/68/EU.
- Baseflex 35 - 80: Standard equipped with legs.





Type	Capacity [l]	Pre-charge [bar]	Max. working pressure [bar]	Dimensions				Syst. conn. (E)	Weight [kg]		Order Code
				A [mm]	B [mm]	Ø C [mm]	D [mm]				
Baseflex 8 - 1.5 bar	8	1.5	6	235	272	-	-	G $\frac{3}{4}$ " M	2.2	105	25300
Baseflex 8 white - 1.5 bar	8	1.5	6	235	272	-	-	G $\frac{3}{4}$ " M	2.2	105	25255
Baseflex 12 - 1.5 bar	12	1.5	6	235	363	-	-	G $\frac{3}{4}$ " M	2.4	90	25301
Baseflex 12 white - 1.5 bar	12	1.5	6	235	363	-	-	G $\frac{3}{4}$ " M	2.4	90	25256
Baseflex 18 - 0.5 bar	18	0.5	6	290	375	-	-	G $\frac{3}{4}$ " M	3.4	60	25324
Baseflex 18 - 1.0 bar	18	1.0	6	290	375	-	-	G $\frac{3}{4}$ " M	3.4	60	25325
Baseflex 18 - 1.5 bar	18	1.5	6	290	375	-	-	G $\frac{3}{4}$ " M	3.4	60	25302
Baseflex 18 white - 0.5 bar	18	0.5	6	290	375	-	-	G $\frac{3}{4}$ " M	3.4	60	25326
Baseflex 18 white - 1.0 bar	18	1.0	6	290	375	-	-	G $\frac{3}{4}$ " M	3.4	60	25327
Baseflex 18 white - 1.5 bar	18	1.5	6	290	375	-	-	G $\frac{3}{4}$ " M	3.4	60	25332
Baseflex 25 - 0.5 bar	25	0.5	6	290	479	-	-	G $\frac{3}{4}$ " M	4.2	48	25328
Baseflex 25 - 1.0 bar	25	1.0	6	290	479	-	-	G $\frac{3}{4}$ " M	4.2	48	25329
Baseflex 25 - 1.5 bar	25	1.5	6	290	479	-	-	G $\frac{3}{4}$ " M	4.2	48	25303
Baseflex 25 white - 1.5 bar	25	1.5	6	290	479	-	-	G $\frac{3}{4}$ " M	4.2	48	25333
Baseflex 35 - 1.5 bar	35	1.5	6	390	482	330	70	G $\frac{3}{4}$ " M	5.4	24	25305
Baseflex 35 white - 1.5 bar	35	1.5	6	390	482	330	70	G $\frac{3}{4}$ " M	5.4	24	25334
Baseflex 50 - 1.5 bar	50	1.5	6	390	607	330	70	G $\frac{3}{4}$ " M	8.7	18	25306
Baseflex 50 white - 1.5 bar	50	1.5	6	390	607	330	70	G $\frac{3}{4}$ " M	8.7	18	25335
Baseflex 80 - 1.5 bar	80	1.5	6	390	854	330	70	G $\frac{3}{4}$ " M	12.3	15	25307
Baseflex 80 white - 1.5 bar	80	1.5	6	390	854	330	70	G $\frac{3}{4}$ " M	12.3	15	25336





Find more information online:

- [Installation and operating instruction](#)
- [Declaration of conformity PED 2014/68/EU](#)
- [PED Module D](#)
- [PED Module D1](#)
- [EU Declaration of Conformity Module A](#)
- [Baseflex DWG](#)
- [Baseflex STEP](#)
- [Baseflex RFA](#)
- [Catalogue as PDF](#)
- [Packaging data](#)