

NIKO
HEATING



Uppercross Enterprises Ltd



HEATING
COLLECTION
WHERE COMFORT MEETS STYLE...

2023

FEATURING  **MYSON**





The Heating Collection, brought to you by UEL & Niko (part of the Uppercross Group) offers a comprehensive range of heating solutions that combines heating efficiencies with designer styles, offering the very latest trends to Irish households nationwide – as we say it is “where **Comfort meets Style**”.

As a 100% Irish owned Company with over 40 years experience supplying heating and plumbing solutions to the Irish market, we pride ourselves on Customer Service, Quality, and Product Knowledge. Our comprehensive radiator ranges span compact, decorative and designer radiators that are suitable for various applications such as renovations, new build constructions and retrofitting projects.

Our collections are available via stockists nationwide including Retailers, Builders Merchants, Plumbing Merchants and Bathroom Showrooms.

Our Ranges

| | |
|---|-----------|
| Revive Column Vertical & Horizontal | 04 |
| Valerie Vertical Flat Panel | 08 |
| Decor Compact Radiator Range | 10 |
| Myson Panel Radiators Compact, Premier HE, Premier Metric | 12 |
| Myson Design Radiators Slieve, Adagio, Forza | 24 |
| Myson Heating Valves | 32 |
| Myson Electric Heating Fan Convectors | 36 |
| Mariah Dual Column Mirror Radiator | 44 |
| Rua Designer Flat Panel | 46 |
| Sara Vertical Panel Radiators | 48 |
| Towel Warmers | 50 |
| Radiator Valves | 58 |
| Technical Specifications | 62 |

REVIVE



COLUMN VERTICAL & HORIZONTAL

REVIVE 2 COLUMN VERTICAL

A collection of column radiators made to the highest standards to provide complete customer satisfaction.

These radiators are stylish replacements for standard panel radiators, and can be arranged in similar positions, with minimum disruption.

The White and Black models fit timelessly in both contemporary and period interiors, while the Raw Metal design adds a striking touch to any modern or retro interior.

| Product Code | Colour | Height (mm) | Width (mm) | BTU | Watts | Pipe Centres | RRP |
|--------------|-----------|-------------|------------|------|-------|--------------|------|
| U2150-8 | White | 1500 | 398 | 2839 | 832 | 488 | €550 |
| U2180-8 | White | 1800 | 398 | 3385 | 992 | 488 | €635 |
| U2180-10 | White | 1800 | 490 | 4231 | 1240 | 580 | €780 |
| U2200-8 | White | 2000 | 398 | 3767 | 1104 | 488 | €690 |
| U2200-10 | White | 2000 | 490 | 4709 | 1380 | 580 | €905 |
| U2180-10-RM | Raw Metal | 1800 | 490 | 4231 | 1240 | 580 | €905 |
| U2200-10-RM | Raw Metal | 2000 | 490 | 4709 | 1380 | 580 | €725 |
| U2180-10-BK | Black | 1800 | 490 | 4231 | 1240 | 580 | €905 |
| U2200-10-BK | Black | 2000 | 490 | 4709 | 1380 | 580 | €955 |

VALVE RECOMMENDATION

Our valve recommendation is a 1/2" Bentley Thermostatic Radiator Valve Lock-Shield Pack in Black Nickel.

Code EV- B15BN

See our full valve section for more options - starting on page 58.

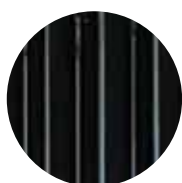


REVIVE 3 COLUMN VERTICAL

| Product Code | Colour | Height (mm) | Width (mm) | BTU | Watts | Pipe Centres | RRP |
|--------------|-----------|-------------|------------|------|-------|--------------|--------|
| U3180-10 | White | 1800 | 490 | 5664 | 1660 | 580 | €1,195 |
| U3200-10 | White | 2000 | 490 | 6244 | 1830 | 580 | €1,195 |
| U3180-10-RM | Raw Metal | 1800 | 490 | 5664 | 1660 | 580 | €1,525 |
| U3200-10-RM | Raw Metal | 2000 | 490 | 6244 | 1830 | 580 | €1,545 |



RAW METAL



BLACK



WHITE



*All Prices Include VAT

REVIVE 3 COLUMN HORIZONTAL

| | Colour | Height (mm) | Width (mm) | BTU | Watts | Pipe Centres | RRP |
|-------------|-----------|-------------|------------|------|-------|--------------|--------|
| U3030-19 | White | 300 | 904 | 2074 | 608 | 994 | €650 |
| U3030-25 | White | 300 | 1180 | 2730 | 800 | 1270 | €635 |
| U3030-32 | White | 300 | 1502 | 3494 | 1024 | 1592 | €1,045 |
| U3030-36 | White | 300 | 1686 | 3931 | 1152 | 1776 | €1,155 |
| U3030-19-RM | Raw Metal | 300 | 904 | 2074 | 608 | 994 | €645 |
| U3030-25-RM | Raw Metal | 300 | 1180 | 2730 | 800 | 1270 | €1,070 |
| U3030-32-RM | Raw Metal | 300 | 1502 | 3494 | 1024 | 1592 | €1,330 |
| U3030-36-RM | Raw Metal | 300 | 1686 | 3931 | 1152 | 1776 | €1,175 |
| U3045-19 | White | 450 | 904 | 3034 | 889 | 994 | €665 |
| U3045-25 | White | 450 | 1180 | 3992 | 1170 | 1270 | €845 |
| U3045-32 | White | 450 | 1502 | 5110 | 1498 | 1592 | €810 |
| U3045-36 | White | 450 | 1686 | 5749 | 1685 | 1776 | €1,160 |
| U3045-19-RM | Raw Metal | 450 | 904 | 3034 | 889 | 994 | €855 |
| U3045-25-RM | Raw Metal | 450 | 1180 | 3992 | 1170 | 1270 | €895 |
| U3045-32-RM | Raw Metal | 450 | 1502 | 5110 | 1498 | 1592 | €1,110 |
| U3045-36-RM | Raw Metal | 450 | 1686 | 5749 | 1685 | 1776 | €1,585 |
| U3060-9 | White | 600 | 440 | 1870 | 548 | 530 | €455 |
| U3060-13 | White | 600 | 628 | 2701 | 792 | 718 | €570 |
| U3060-19 | White | 600 | 904 | 3948 | 1157 | 994 | €765 |
| U3060-25 | White | 600 | 1180 | 5195 | 1523 | 1270 | €1,035 |
| U3060-32 | White | 600 | 1502 | 6649 | 1949 | 1592 | €1,295 |
| U3060-36 | White | 600 | 1686 | 7480 | 2192 | 1776 | €1,440 |
| U3060-9-RM | Raw Metal | 600 | 440 | 1870 | 548 | 530 | €640 |
| U3060-13-RM | Raw Metal | 600 | 628 | 2701 | 792 | 718 | €680 |
| U3060-19-RM | Raw Metal | 600 | 904 | 3948 | 1157 | 994 | €910 |
| U3060-25-RM | Raw Metal | 600 | 1180 | 5195 | 1523 | 1270 | €1,220 |
| U3060-32-RM | Raw Metal | 600 | 1502 | 6649 | 1949 | 1592 | €1,170 |
| U3060-36-RM | Raw Metal | 600 | 1686 | 7480 | 2192 | 1776 | €1,730 |
| U3060-13-BK | Black | 600 | 628 | 2701 | 792 | 718 | €675 |
| U3060-19-BK | Black | 600 | 904 | 3948 | 1157 | 994 | €930 |
| U3060-25-BK | Black | 600 | 1180 | 5195 | 1523 | 1270 | €1,220 |
| U3060-32-BK | Black | 600 | 1502 | 6649 | 1949 | 1592 | €1,545 |
| U3060-36-BK | Black | 600 | 1686 | 7480 | 2192 | 1776 | €1,730 |

VALVE RECOMMENDATION

Our valve recommendation is a 1/2" Bentley Thermostatic Radiator Valve Lock-Shield pack in Black Nickel.

Code EV-B15C

See our full valve section for more options - starting on page 58.



Note. Additional sizes available to order



Radiator Feet

Although radiator feet create the appearance of a free-standing radiator, they only support its weight, so you will still need to use the wall brackets supplied. Available in Black, Raw Metal and White. Height 100mm.



UCRFW €145
Revive Column Radiator Feet
White (pack of 2 feet)



UCRFBK €190
Revive Column Radiator
Feet Black (pack of 2 feet)



UCRFRM €190
Revive Column Radiator Feet
Raw Metal (pack of 2 feet)

VALERIE

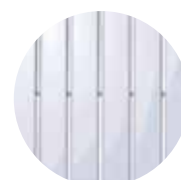


VERTICAL FLAT PANEL RADIATORS

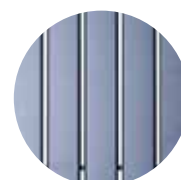
VALERIE - FLAT PANEL SINGLE

The vertical flat panel radiators are the ultimate space saver in any home. These radiators are strikingly stylish yet highly practical, blending into both period and modern interiors.

| | Colour | Height (mm) | Width (mm) | BTU | Watts | Pipe Centres | RRP |
|---------|--------|-------------|------------|------|-------|--------------|------|
| VFP418W | White | 1800 | 450 | 3253 | 953 | 540 | €465 |
| VFP518W | White | 1800 | 525 | 3795 | 1112 | 615 | €480 |
| VFP620W | White | 2000 | 600 | 4786 | 1403 | 690 | €555 |



White



Anthracite

| | Colour | Height (mm) | Width (mm) | BTU | Watts | Pipe Centres | RRP |
|---------|------------|-------------|------------|------|-------|--------------|------|
| VFP418A | Anthracite | 1800 | 450 | 3253 | 953 | 540 | €575 |
| VFP518A | Anthracite | 1800 | 525 | 3795 | 1112 | 615 | €615 |
| VFP620A | Anthracite | 2000 | 600 | 4786 | 1403 | 690 | €665 |

VALERIE - FLAT PANEL DOUBLE

| | Colour | Height (mm) | Width (mm) | BTU | Watts | Pipe Centres | RRP |
|-----------|--------|-------------|------------|------|-------|--------------|------|
| VFP418WDP | White | 1800 | 452 | 6304 | 1848 | 542 | €510 |
| VFP518WDP | White | 1800 | 525 | 7354 | 2155 | 615 | €555 |
| VFP620WDP | White | 2000 | 600 | 8764 | 2569 | 690 | €690 |



| | Colour | Height (mm) | Width (mm) | BTU | Watts | Pipe Centres | RRP |
|-----------|------------|-------------|------------|------|-------|--------------|------|
| VFP418ADP | Anthracite | 1800 | 452 | 6304 | 1848 | 542 | €630 |
| VFP518ADP | Anthracite | 1800 | 525 | 7354 | 2155 | 615 | €710 |
| VFP620ADP | Anthracite | 2000 | 600 | 8764 | 2569 | 690 | €805 |

VALVE RECOMMENDATION

Our valve recommendation is the 1/2" Minimalist Angled Radiator Valve in Silver Nickel.

Code HP15SN

See our full valve section for more options - starting on page 58.



WRF €30

Valerie Radiator Feet White (pack of 2 feet)



ARF €25

Valerie Radiator Feet Anthracite (pack of 2 feet)

DECOR



DECOR RADIATOR RANGE

DECOR RADIATORS

Give any room in your home a stylish and modern update with the DECOR flat panel designer radiator. A great choice for creating a contemporary look, this radiator comes in a range of sizes and features both single and double panel options.

500MM HIGH DECOR - SINGLE

| | Colour | Height (mm) | Width (mm) | BTU | Watts | Pipe Centres | RRP |
|---------|--------|-------------|------------|------|-------|--------------|-------|
| DR11506 | White | 514 | 600 | 1785 | 523 | 520 | € 455 |
| DR11508 | White | 514 | 800 | 2382 | 698 | 520 | € 520 |
| DR11510 | White | 514 | 1000 | 2975 | 872 | 520 | € 580 |
| DR11512 | White | 514 | 1200 | 3569 | 1046 | 520 | € 660 |
| DR11514 | White | 514 | 1400 | 4166 | 1221 | 520 | € 720 |
| DR11516 | White | 514 | 1600 | 4759 | 1395 | 520 | € 785 |
| DR11518 | White | 514 | 1800 | 5357 | 1570 | 520 | € 850 |
| DR11520 | White | 514 | 2000 | 5950 | 1744 | 520 | € 920 |



300MM HIGH DECOR - DOUBLE

| | Colour | Height (mm) | Width (mm) | BTU | Watts | Pipe Centres | RRP |
|---------|--------|-------------|------------|------|-------|--------------|-------|
| DR22310 | White | 292 | 1000 | 3364 | 986 | 298 | € 540 |
| DR22312 | White | 292 | 1200 | 4037 | 1183 | 298 | € 590 |
| DR22314 | White | 292 | 1400 | 4709 | 1380 | 298 | € 645 |

500MM HIGH DECOR - DOUBLE

| | Colour | Height (mm) | Width (mm) | BTU | Watts | Pipe Centres | RRP |
|---------|--------|-------------|------------|-------|-------|--------------|---------|
| DR22506 | White | 514 | 600 | 3105 | 910 | 520 | € 615 |
| DR22508 | White | 514 | 800 | 4142 | 1214 | 520 | € 705 |
| DR22510 | White | 514 | 1000 | 5176 | 1517 | 520 | € 800 |
| DR22512 | White | 514 | 1200 | 6210 | 1820 | 520 | € 905 |
| DR22514 | White | 514 | 1400 | 7247 | 2124 | 520 | € 1,000 |
| DR22516 | White | 514 | 1600 | 8281 | 2427 | 520 | € 1,095 |
| DR22518 | White | 514 | 1800 | 9318 | 2731 | 520 | € 1,055 |
| DR22520 | White | 514 | 2000 | 10352 | 3034 | 520 | € 1,115 |

VALVE

RECOMMENDATION

Our valve recommendation is the 1/2" Minimalist Corner Radiator Valves in Chrome.

Code C15C

See our full valve section for more options - starting on page 58.



*All Prices Include VAT



UPPERCROSS ENTERPRISES LTD

proud supplier of **MYSON**
HEATING SOLUTIONS

Europe's leader
in sustainable
indoor climate
comfort solutions



MYSON offers a comprehensive range of heating & cooling solutions for renovation and new construction. UEL are proud distributors of MYSON Heating Solutions in the Republic of Ireland. For Further product information or to find your local stockist contact sales@uel.ie or visit www.uel.ie





Panel radiators

MYSON has been manufacturing traditional steel panel radiators for over 60 years. Their experience and expertise in this area makes them one of the most trusted, reliable and innovative heating solutions providers in Europe. The range includes classics from the respected SELECT and PREMIER ranges, space saving solutions with the VERTICAL and safety products, such as the LST - available in horizontal and vertical models.

The Panel Radiators includes single, double, and compact models.



COMPACT

The Purmo Compact radiator is a stylish, elegant and practical radiator, perfect for domestic or commercial applications. With a 33mm profile and convector fins, it ensures a leading performance, even when installed on low temperature systems.

The product range includes type 11 and type 22. With a wide range of heights and lengths available from stock, it truly is a perfect fit for any room size.

- Available in five heights **300mm, 400mm, 500mm, 600mm and 750mm**
- Available in lengths from **400mm to 2300mm**
- Available as single panel, single convector (T11), double panel, double panel, double convector (T22).

Features

- Durable powder coated in white RAL 9016 paint for a brighter, whiter finish
- Full 10-year warranty
- Manufactured and tested to BS EN 442



Accessories



1. Universal floor fixing bracket for all types - refer to the technicals page.



2. Compact towel bar

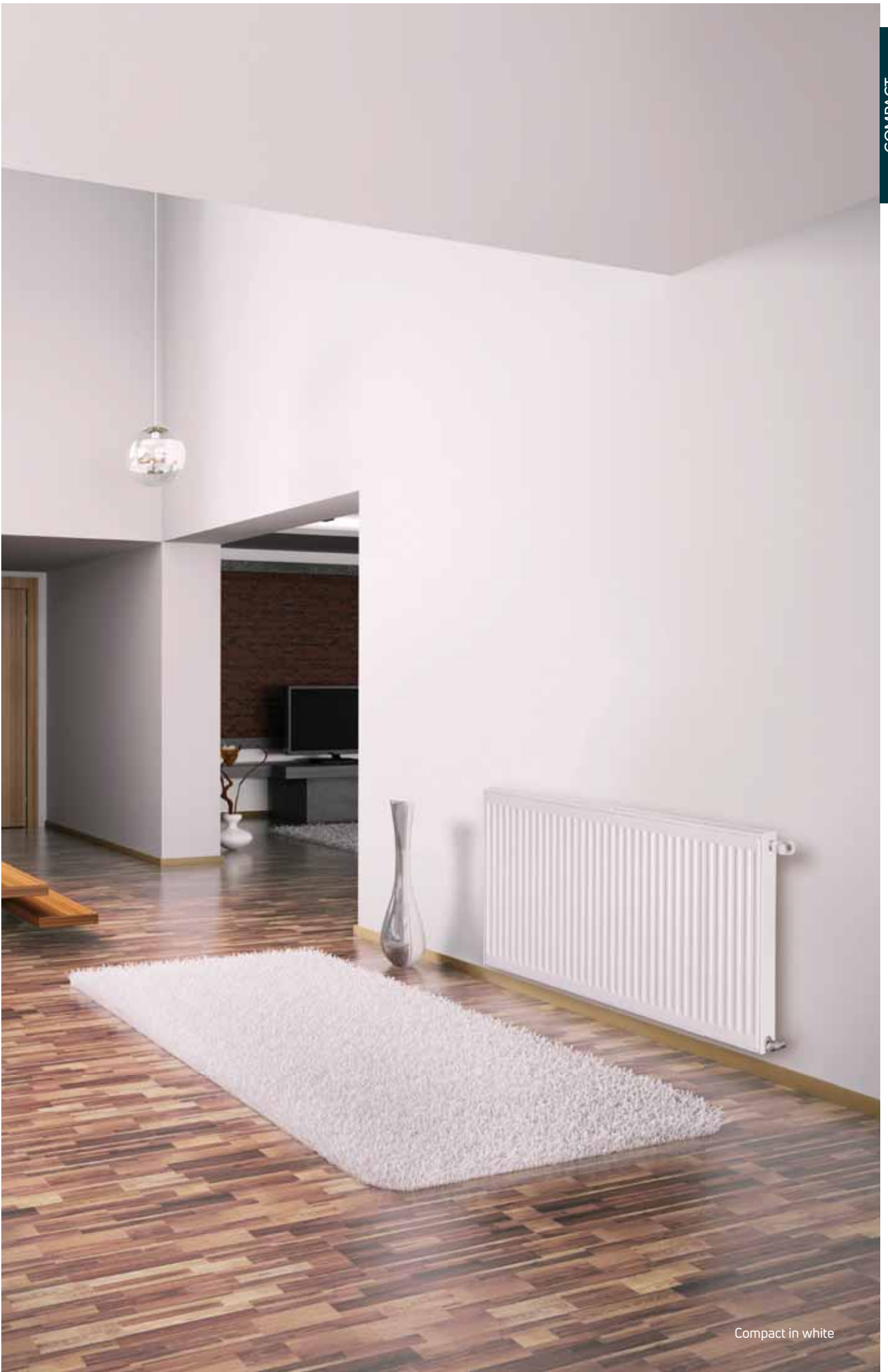
| Length (mm) | Product Code |
|-------------|--------------|
| 450 | 589450 |
| 500 | 589500 |
| 600 | 589600 |
| 750 | 589750 |
| 900 | 589900 |
| 1050 | 5891050 |



3. Radiator pack TRV and Lockshield.



Compact in white



Compact in white

Compact (T11) - Single Panel Single Convector

| Product Code | Height (mm) | Width (mm) | Outputs @ dt50 | | Outputs @ dt30 | | Weight (kgs) | White RRP | |
|--------------|-------------|------------|----------------|--------|----------------|--------|--------------|-----------|-----|
| | | | Watts | BTU/Hr | Watts | BTU/Hr | | | |
| C11 300 0600 | 300 | 600 | 328 | 1119 | 169 | 577 | 5.40 | €55 | |
| C11 300 1000 | | 1000 | 546 | 1863 | 281 | 959 | 9.00 | €75 | |
| C11 300 1400 | | 1400 | 764 | 2604 | 393 | 1342 | 16.81 | €95 | |
| C11 300 2000 | | 2000 | 1092 | 3726 | 563 | 1921 | 18.00 | €130 | |
| C11 400 0500 | 400 | 500 | 356 | 1250 | 183 | 625 | 7.00 | €55 | |
| C11 400 0600 | | 600 | 427 | 1457 | 220 | 749 | 8.11 | €60 | |
| C11 400 0700 | | 700 | 498 | 1699 | 256 | 874 | 9.31 | €70 | |
| C11 400 0800 | | 800 | 569 | 1941 | 292 | 998 | 10.33 | €75 | |
| C11 400 0900 | | 900 | 2184 | 640 | 1123 | 329 | 11.59 | €80 | |
| C11 400 1000 | | 1000 | 711 | 2426 | 365 | 1247 | 12.51 | €85 | |
| C11 400 1100 | | 1100 | 782 | 2668 | 402 | 1372 | 13.99 | €95 | |
| C11 400 1200 | | 1200 | 853 | 2910 | 438 | 1496 | 14.75 | €100 | |
| C11 400 1300 | | 1300 | 924 | 3153 | 475 | 1621 | 16.09 | €105 | |
| C11 400 1400 | | 1400 | 995 | 3395 | 512 | 1746 | 16.91 | €110 | |
| C11 400 1600 | | 1600 | 1138 | 3883 | 585 | 1996 | 19.60 | €125 | |
| C11 400 1800 | | 1800 | 1280 | 4367 | 658 | 2246 | 21.91 | €140 | |
| C11 500 0400 | 500 | 400 | 347 | 1184 | 178 | 608 | 7.40 | €55 | |
| C11 500 0500 | | 500 | 434 | 1481 | 223 | 761 | 8.82 | €65 | |
| C11 500 0600 | | 600 | 521 | 1778 | 268 | 914 | 10.22 | €65 | |
| C11 500 0700 | | 700 | 608 | 2074 | 312 | 1066 | 11.64 | €75 | |
| C11 500 0800 | | 800 | 694 | 2368 | 357 | 1217 | 12.95 | €80 | |
| C11 500 0900 | | 900 | 781 | 2665 | 401 | 1369 | 14.42 | €85 | |
| C11 500 1000 | | 1000 | 868 | 2962 | 446 | 1522 | 15.66 | €95 | |
| C11 500 1100 | | 1100 | 955 | 3258 | 491 | 1674 | 16.86 | €100 | |
| C11 500 1200 | | 1200 | 1042 | 3555 | 535 | 1827 | 18.80 | €110 | |
| C11 500 1300 | | 1300 | 1128 | 3849 | 580 | 1979 | 20.22 | €115 | |
| C11 500 1400 | | 1400 | 1215 | 4146 | 624 | 2130 | 21.66 | €125 | |
| C11 500 1500 | | 1500 | 1302 | 4442 | 669 | 2283 | 29.07 | €130 | |
| C11 500 1600 | | 1600 | 1389 | 4739 | 714 | 2435 | 24.90 | €140 | |
| C11 500 1800 | | 1800 | 1562 | 5330 | 803 | 2739 | 27.60 | €155 | |
| C11 500 2000 | | 2000 | 1736 | 5923 | 892 | 3044 | 28.71 | €170 | |
| C11 600 0400 | | 600 | 400 | 407 | 1389 | 208 | 710 | 8.41 | €65 |
| C11 600 0500 | 500 | | 509 | 1737 | 260 | 887 | 10.14 | €75 | |
| C11 600 0600 | 600 | | 611 | 2085 | 313 | 1068 | 11.87 | €85 | |
| C11 600 0700 | 700 | | 713 | 2433 | 365 | 1245 | 13.60 | €95 | |
| C11 600 0800 | 800 | | 814 | 2777 | 417 | 1423 | 15.33 | €105 | |
| C11 600 0900 | 900 | | 916 | 3125 | 469 | 1600 | 17.06 | €115 | |
| C11 600 1000 | 1000 | | 1018 | 3473 | 521 | 1778 | 18.79 | €125 | |
| C11 600 1100 | 1100 | | 1120 | 3821 | 573 | 1955 | 20.52 | €135 | |
| C11 600 1200 | 1200 | | 1222 | 4169 | 625 | 2133 | 22.25 | €140 | |
| C11 600 1300 | 1300 | | 1323 | 4514 | 677 | 2310 | 23.98 | €155 | |
| C11 600 1400 | 1400 | | 1425 | 4862 | 729 | 2487 | 25.71 | €165 | |
| C11 600 1600 | 1600 | | 1629 | 5558 | 834 | 2846 | 29.16 | €185 | |
| C11 600 1800 | 1800 | | 1832 | 6251 | 938 | 3200 | 32.62 | €205 | |
| C11 600 2000 | 2000 | | 2036 | 6947 | 1042 | 3555 | 36.08 | €225 | |
| C11 750 0400 | 750 | | 400 | 492 | 1679 | 251 | 857 | 9.85 | €65 |
| C11 750 0500 | | | 500 | 615 | 2098 | 314 | 1071 | 12.31 | €75 |
| C11 750 0600 | | 600 | 738 | 2518 | 377 | 1286 | 14.78 | €105 | |
| C11 750 0700 | | 700 | 861 | 2938 | 440 | 1500 | 17.24 | €105 | |
| C11 750 0800 | | 800 | 984 | 3357 | 502 | 1714 | 19.70 | €120 | |
| C11 750 0900 | | 900 | 1107 | 3777 | 565 | 1928 | 22.17 | €135 | |
| C11 750 1000 | | 1000 | 1230 | 4197 | 628 | 2143 | 24.63 | €150 | |
| C11 750 1200 | | 1200 | 1476 | 5036 | 754 | 2571 | 29.55 | €175 | |
| C11 750 1400 | | 1400 | 1722 | 5875 | 879 | 3000 | 34.48 | €205 | |
| C11 750 1600 | 1600 | 1968 | 6715 | 1005 | 3428 | 39.40 | €235 | | |

Heat output shown at ΔT 50°C and ΔT 30°C. All Heat outputs tested according to EN442.
*All Prices include VAT

| Compact Horizontal (T22) - Double Panel Double Convector | | | | | | | | | |
|--|-------------|------------|----------------|--------|----------------|--------|--------------|-----------|------|
| Product Code | Height (mm) | Width (mm) | Outputs @ dt50 | | Outputs @ dt30 | | Weight (kgs) | White RRP | |
| | | | Watts | BTU/Hr | Watts | BTU/Hr | | | |
| C22 300 0600 | 300 | 600 | 577 | 1969 | 295 | 1007 | 10.32 | €75 | |
| C22 300 0800 | | 800 | 769 | 2624 | 394 | 1344 | 13.76 | €90 | |
| C22 300 1000 | | 1000 | 961 | 3279 | 492 | 1679 | 17.20 | €110 | |
| C22 300 2000 | | 2000 | 1922 | 6558 | 985 | 3361 | 34.40 | €195 | |
| C22 400 0500 | 400 | 500 | 611 | 2083 | 312 | 1063 | 11.55 | €80 | |
| C22 400 0600 | | 600 | 733 | 2500 | 374 | 1275 | 13.86 | €85 | |
| C22 400 0700 | | 700 | 855 | 2916 | 436 | 1488 | 16.17 | €95 | |
| C22 400 0800 | | 800 | 977 | 3333 | 498 | 1701 | 18.48 | €105 | |
| C22 400 0900 | | 900 | 1099 | 3749 | 561 | 1913 | 20.79 | €115 | |
| C22 400 1000 | | 1000 | 1221 | 4166 | 623 | 2126 | 23.10 | €125 | |
| C22 400 1100 | | 1100 | 1343 | 4583 | 685 | 2338 | 25.41 | €135 | |
| C22 400 1200 | | 1200 | 1465 | 4999 | 748 | 2551 | 27.72 | €145 | |
| C22 400 1300 | | 1300 | 1587 | 5416 | 810 | 2763 | 30.08 | €155 | |
| C22 400 1400 | | 1400 | 1709 | 5832 | 872 | 2976 | 32.34 | €165 | |
| C22 400 1600 | | 1600 | 1954 | 6666 | 997 | 3401 | 36.96 | €190 | |
| C22 400 1800 | | 1800 | 2198 | 7499 | 1121 | 3826 | 41.58 | €210 | |
| C22 500 0400 | | 500 | 400 | 558 | 2006 | 298 | 1018 | 11.63 | €80 |
| C22 500 0500 | | | 500 | 735 | 2508 | 373 | 1273 | 14.54 | €90 |
| C22 500 0600 | 600 | | 882 | 3009 | 448 | 1527 | 17.45 | €100 | |
| C22 500 0700 | 700 | | 1029 | 3511 | 522 | 1782 | 20.23 | €115 | |
| C22 500 0800 | 800 | | 1176 | 4013 | 597 | 2036 | 23.27 | €125 | |
| C22 500 0900 | 900 | | 1323 | 4514 | 671 | 2291 | 26.18 | €135 | |
| C22 500 1000 | 1000 | | 1470 | 5016 | 746 | 2545 | 29.07 | €150 | |
| C22 500 1100 | 1100 | | 1617 | 5517 | 821 | 2800 | 31.99 | €160 | |
| C22 500 1200 | 1200 | | 1764 | 6019 | 895 | 3054 | 34.90 | €175 | |
| C22 500 1300 | 1300 | | 1911 | 6520 | 970 | 3309 | 37.81 | €185 | |
| C22 500 1400 | 1400 | | 2058 | 7022 | 1044 | 3563 | 40.72 | €200 | |
| C22 500 1500 | 1500 | | 2205 | 7523 | 1119 | 3818 | 43.63 | €225 | |
| C22 500 1600 | 1600 | | 2352 | 8025 | 1194 | 4073 | 46.54 | €220 | |
| C22 500 1800 | 1800 | | 2646 | 9028 | 1343 | 4582 | 52.35 | €255 | |
| C22 500 2000 | 2000 | | 2940 | 10031 | 1492 | 5091 | 58.17 | €280 | |
| C22 600 0400 | 600 | | 400 | 684 | 2334 | 346 | 1181 | 14.72 | €100 |
| C22 600 0500 | | 500 | 855 | 2917 | 432 | 1474 | 17.88 | €115 | |
| C22 600 0600 | | 600 | 1025 | 3497 | 518 | 1767 | 21.04 | €130 | |
| C22 600 0700 | | 700 | 1196 | 4081 | 605 | 2064 | 24.20 | €150 | |
| C22 600 0800 | | 800 | 1367 | 4664 | 691 | 2358 | 27.36 | €165 | |
| C22 600 0900 | | 900 | 1538 | 5248 | 777 | 2651 | 30.52 | €185 | |
| C22 600 1000 | | 1000 | 1709 | 5831 | 864 | 2948 | 33.68 | €200 | |
| C22 600 1100 | | 1100 | 1880 | 6415 | 950 | 3241 | 36.84 | €220 | |
| C22 600 1200 | | 1200 | 2051 | 6998 | 1037 | 3538 | 40.00 | €235 | |
| C22 600 1300 | | 1300 | 2222 | 7581 | 1123 | 3832 | 43.16 | €255 | |
| C22 600 1400 | | 1400 | 2393 | 8166 | 1209 | 4125 | 46.32 | €270 | |
| C22 600 1600 | | 1600 | 2734 | 9328 | 1382 | 4715 | 52.64 | €310 | |
| C22 600 1800 | | 1800 | 3076 | 10495 | 1555 | 5306 | 58.96 | €345 | |
| C22 600 2000 | | 2000 | 3418 | 11662 | 1728 | 5896 | 65.28 | €380 | |
| C22 750 0400 | | 750 | 400 | 882 | 2805 | 414 | 1411 | 17.71 | €130 |
| C22 750 0500 | | | 500 | 1028 | 3506 | 517 | 1764 | 22.14 | €155 |
| C22 750 0600 | 600 | | 1233 | 4207 | 620 | 2117 | 26.57 | €160 | |
| C22 750 0700 | 700 | | 1439 | 4908 | 724 | 2470 | 31.00 | €205 | |
| C22 750 0800 | 800 | | 1644 | 5609 | 827 | 2822 | 35.42 | €225 | |
| C22 750 0900 | 900 | | 1850 | 6310 | 931 | 3175 | 39.85 | €275 | |
| C22 750 1000 | 1000 | | 2055 | 7012 | 1034 | 3528 | 44.28 | €275 | |
| C22 750 1200 | 1200 | | 2466 | 8414 | 1241 | 4234 | 53.13 | €360 | |
| C22 750 1400 | 1400 | | 2877 | 9816 | 1448 | 4939 | 61.99 | €360 | |
| C22 750 1600 | 1600 | | 3288 | 11219 | 1654 | 5645 | 70.85 | €440 | |

Heat output shown at ΔT 50°C and ΔT 30°C. All Heat outputs tested according to EN442.

*All Prices include VAT



**PREMIER HE
PREMIER METRIC**



MYSON's PREMIER range sets the benchmark for panel radiators offering imperial fitting dimensions, MYSON's PREMIER HE is the perfect panel radiator for retro fitting projects. The PREMIER METRIC offers the metric equivalent and, through the addition of side and top grilles.

- Stylish and hazard reducing round top design
- Manufactured to the highest production standards
- Impressive heat outputs at low energy consumption
- Extensive range of size options



PREMIER HE

General specification & technical information



CERTIFICATION

Manufactured and tested to BS EN 442 & EN 442. Carries the BS Kitemark, CE & UKCA Mark. Produced under a quality management system - ISO 9001:2015, environmental management system - ISO 14001:2015 and Occupational health and safety management system - ISO 45001:2018.



GUARANTEE

10 year guarantee from date of purchase against manufacturing defects.



COLOUR

All radiators are de-greased, phosphated and primer coated. An epoxy polyester finishing coat in white (RAL 9016) is applied to all front and rear surfaces.



ACCESSORIES

Touch up paint available on request.



SYSTEM

2 pipe pumped indirect domestic and commercial heating applications.



CONNECTIONS

2 x 1/2" BSP as standard. Selected sizes available with 4 x 1/2" BSP, please see below.



AIR VENTS

Unique integral air vent situated top right corner of panel, on the 2 tap models only.



OPERATING PRESSURES

Tested to a pressure of 7 bar.
Working pressure of up to 5.4 bar.



OPERATING TEMPERATURE

Maximum 100°C.



VALVES

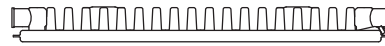
Please see page 32 - 35.



BIM

Visit our website to download the BIM components

Single Convector Type 11

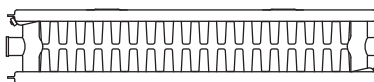


| Nominal Height | Nominal Length (inches - mm) | No. of sections | Heat Outputs @ ΔT 50°C | | Heat Outputs @ ΔT 30°C | | Order Code | RRP |
|--------------------|---------------------------------|-----------------|---------------------------|-------|---------------------------|----------|------------|------|
| | | | Watts | Btu/h | Watts | Btu/h | | |
| 12 inch (300mm) | 15 - 400 | 8 | 199 | 680 | 104 | 356 | 12 SC 15 | €110 |
| | 31 - 800 | 16 | 409 | 1395 | 214 | 730 | 12 SC 31 | €165 |
| | 47 - 1200 | 24 | 618 | 2109 | 323 | 1103 | 12 SC 47 | €170 |
| | 63 - 1600 | 32 | 828 | 2824 | 433 | 1477 | 12 SC 63 | €235 |
| 15 inch (390mm) | 21 - 540 | 11 | 354 | 1207 | 185 | 630 | 15 SC 21 | €90 |
| | 25 - 641 | 13 | 420 | 1433 | 219 | 748 | 15 SC 25 | €105 |
| | 29 - 743 | 15 | 487 | 1661 | 254 | 867 | 15 SC 29 | €115 |
| | 37 - 946 | 19 | 620 | 2114 | 323 | 1104 | 15 SC 37 | €120 |
| | 41 - 1047 | 21 | 686 | 2342 | 358 | 1222 | 15 SC 41 | €130 |
| | 45 - 1149 | 23 | 753 | 2568 | 393 | 1340 | 15 SC 45 | €135 |
| | 49 - 1251 | 25 | 819 | 2796 | 428 | 1459 | 15 SC 49 | €145 |
| | 53 - 1352 | 27 | 886 | 3024 | 463 | 1578 | 15 SC 53 | €155 |
| | 57 - 1454 | 29 | 952 | 3249 | 497 | 1696 | 15 SC 57 | €165 |
| | 61 - 1556 | 31 | 1019 | 3477 | 532 | 1815 | 15 SC 61 | €170 |
| | 69 - 1759 | 35 | 1152 | 3931 | 601 | 2052 | 15 SC 69 | €195 |
| | 77 - 1962 | 39 | 1285 | 4385 | 671 | 2289 | 15 SC 77 | €220 |
| 21 inch (530mm) | 17 - 438 | 9 | 375 | 1281 | 195 | 667 | 21 SC 17 | €85 |
| | 21 - 540 | 11 | 463 | 1579 | 241 | 822 | 21 SC 21 | €95 |
| | 25 - 641 | 13 | 549 | 1874 | 286 | 976 | 21 SC 25 | €105 |
| | 29 - 743 | 15 | 637 | 2173 | 331 | 1131 | 21 SC 29 | €105 |
| | 33 - 844 | 17 | 724 | 2471 | 377 | 1286 | 21 SC 33 | €115 |
| | 37 - 946 | 19 | 811 | 2766 | 422 | 1440 | 21 SC 37 | €130 |
| | 41 - 1047 | 21 | 898 | 3064 | 467 | 1595 | 21 SC 41 | €145 |
| | 45 - 1149 | 23 | 985 | 3360 | 513 | 1749 | 21 SC 45 | €145 |
| | 49 - 1251 | 25 | 1072 | 3658 | 558 | 1904 | 21 SC 49 | €160 |
| | 53 - 1352 | 27 | 1160 | 3956 | 604 | 2059 | 21 SC 53 | €175 |
| | 57 - 1454 | 29 | 1246 | 4252 | 649 | 2213 | 21 SC 57 | €180 |
| | 61 - 1556 | 31 | 1333 | 4550 | 694 | 2368 | 21 SC 61 | €190 |
| 69 - 1759 | 35 | 1507 | 5143 | 785 | 2677 | 21 SC 69 | €220 | |
| 77 - 1962 | 39 | 1681 | 5737 | 875 | 2986 | 21 SC 77 | €240 | |
| 85 - 2165 | 43 | 1855 | 6331 | 966 | 3295 | 21 SC 85 | €285 | |
| 27 inch (690mm) | 11 - 286 | 6 | 305 | 1042 | 157 | 534 | 27 SC 11 | €95 |
| | 17 - 438 | 9 | 468 | 1596 | 240 | 818 | 27 SC 17 | €120 |
| | 21 - 540 | 11 | 577 | 1968 | 296 | 1009 | 27 SC 21 | €115 |
| | 25 - 641 | 13 | 685 | 2336 | 351 | 1198 | 27 SC 25 | €130 |
| | 29 - 743 | 15 | 794 | 2708 | 407 | 1388 | 27 SC 29 | €140 |
| | 33 - 844 | 17 | 902 | 3079 | 463 | 1579 | 27 SC 33 | €145 |
| | 37 - 946 | 19 | 1010 | 3447 | 518 | 1767 | 27 SC 37 | €165 |
| | 41 - 1047 | 21 | 1119 | 3819 | 574 | 1958 | 27 SC 41 | €165 |
| | 45 - 1149 | 23 | 1227 | 4187 | 629 | 2147 | 27 SC 45 | €170 |
| | 53 - 1352 | 27 | 1445 | 4930 | 741 | 2528 | 27 SC 53 | €210 |
| | 61 - 1556 | 31 | 1662 | 5670 | 852 | 2907 | 27 SC 61 | €260 |
| | 69 - 1759 | 35 | 1879 | 6410 | 963 | 3286 | 27 SC 69 | €295 |

*All Prices include VAT



**Double Convector
Type 22**



| Heat Outputs @ ΔT 50°C | | Heat Outputs @ ΔT 30°C | | Order Code | RRP |
|------------------------|-------|------------------------|-------|------------|------|
| Watts | Btu/h | Watts | Btu/h | | |
| 795 | 2712 | 413 | 1408 | 12 DC 31 | €260 |
| 1201 | 4098 | 624 | 2129 | 12 DC 47 | €310 |
| 1609 | 5489 | 835 | 2851 | 12 DC 63 | €470 |
| 2015 | 6875 | 1047 | 3571 | 12 DC 79 | €585 |
| 675 | 2303 | 348 | 1186 | 15 DC 21 | €170 |
| 801 | 2734 | 413 | 1408 | 15 DC 25 | €200 |
| 929 | 3169 | 478 | 1632 | 15 DC 29 | €235 |
| 1183 | 4035 | 609 | 2078 | 15 DC 37 | €245 |
| 1310 | 4470 | 675 | 2302 | 15 DC 41 | €260 |
| 1436 | 4900 | 740 | 2524 | 15 DC 45 | €265 |
| 1564 | 5336 | 805 | 2748 | 15 DC 49 | €290 |
| 1691 | 5771 | 871 | 2972 | 15 DC 53 | €315 |
| 1818 | 6201 | 936 | 3194 | 15 DC 57 | €360 |
| 1945 | 6636 | 1002 | 3418 | 15 DC 61 | €380 |
| 2199 | 7502 | 1133 | 3864 | 15 DC 69 | €395 |
| 2453 | 8368 | 1263 | 4310 | 15 DC 77 | €485 |
| 2706 | 9234 | 1394 | 4756 | 15 DC 85 | €490 |
| 706 | 2411 | 359 | 1226 | 21 DC 17 | €145 |
| 871 | 2972 | 443 | 1511 | 21 DC 21 | €200 |
| 1034 | 3528 | 526 | 1794 | 21 DC 25 | €200 |
| 1198 | 4089 | 609 | 2079 | 21 DC 29 | €240 |
| 1363 | 4651 | 693 | 2365 | 21 DC 33 | €245 |
| 1526 | 5206 | 776 | 2647 | 21 DC 37 | €270 |
| 1690 | 5768 | 859 | 2933 | 21 DC 41 | €320 |
| 1853 | 6324 | 942 | 3215 | 21 DC 45 | €315 |
| 2018 | 6885 | 1026 | 3501 | 21 DC 49 | €345 |
| 2182 | 7446 | 1110 | 3786 | 21 DC 53 | €375 |
| 2345 | 8002 | 1192 | 4069 | 21 DC 57 | €425 |
| 2510 | 8564 | 1276 | 4354 | 21 DC 61 | €475 |
| 2837 | 9681 | 1443 | 4922 | 21 DC 69 | €505 |
| 3165 | 10798 | 1609 | 5490 | 21 DC 77 | €575 |
| 3492 | 11915 | 1776 | 6058 | 21 DC 85 | €565 |
| 572 | 1951 | 291 | 992 | 27 DC 11 | €175 |
| 876 | 2987 | 445 | 1519 | 27 DC 17 | €215 |
| 1079 | 3683 | 549 | 1872 | 27 DC 21 | €225 |
| 1281 | 4372 | 651 | 2222 | 27 DC 25 | €260 |
| 1485 | 5068 | 755 | 2576 | 27 DC 29 | €285 |
| 1689 | 5763 | 859 | 2930 | 27 DC 33 | €375 |
| 1891 | 6452 | 961 | 3280 | 27 DC 37 | €360 |
| 2095 | 7148 | 1065 | 3633 | 27 DC 41 | €410 |
| 2297 | 7837 | 1168 | 3984 | 27 DC 45 | €515 |
| 2705 | 9228 | 1375 | 4691 | 27 DC 53 | €520 |
| 3110 | 10613 | 1581 | 5395 | 27 DC 61 | €595 |
| 3516 | 11997 | 1787 | 6099 | 27 DC 69 | €680 |

*All Prices include VAT

PREMIER METRIC

General specification & technical information

Single Convector Type 11

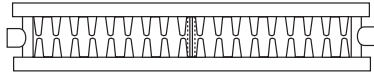


| Nominal Height | Nominal Length (mm) | Heat Outputs @ ΔT 50°C | | Heat Outputs @ ΔT 30°C | | Order Code | RRP |
|----------------|---------------------|--------------------------------|-------|--------------------------------|---------------|---------------|-------|
| | | Watts | Btu/h | Watts | Btu/h | | |
| 300mm | 400 | 199 | 680 | 104 | 356 | 4PM 30 SC 40 | €660 |
| | 800 | 409 | 1395 | 214 | 730 | 4PM 30 SC 80 | €895 |
| | 1200 | 618 | 2109 | 323 | 1103 | 4PM 30 SC 120 | €990 |
| | 1600 | 828 | 2824 | 433 | 1477 | 4PM 30 SC 160 | €1390 |
| | 2000 | 1037 | 3537 | 542 | 1850 | 4PM 30 SC 200 | €1740 |
| | 2400 | 1246 | 4251 | 651 | 2223 | 4PM 30 SC 240 | €2215 |
| | 3000 | 1560 | 5322 | 816 | 2783 | 4PM 30 SC 300 | €2920 |
| 450mm | 400 | 288 | 982 | 150 | 512 | 4PM 45 SC 40 | €70 |
| | 500 | 364 | 1241 | 190 | 647 | 4PM 45 SC 50 | €85 |
| | 600 | 440 | 1500 | 229 | 782 | 4PM 45 SC 60 | €95 |
| | 700 | 515 | 1757 | 268 | 916 | 4PM 45 SC 70 | €90 |
| | 800 | 591 | 2016 | 308 | 1051 | 4PM 45 SC 80 | €105 |
| | 900 | 666 | 2272 | 347 | 1184 | 4PM 45 SC 90 | €115 |
| | 1000 | 742 | 2531 | 387 | 1319 | 4PM 45 SC 100 | €125 |
| | 1100 | 818 | 2790 | 426 | 1454 | 4PM 45 SC 110 | €135 |
| | 1200 | 893 | 3046 | 465 | 1588 | 4PM 45 SC 120 | €145 |
| | 1400 | 1044 | 3562 | 544 | 1857 | 4PM 45 SC 140 | €165 |
| | 1600 | 1196 | 4079 | 623 | 2127 | 4PM 45 SC 160 | €190 |
| | 1800 | 1347 | 4595 | 702 | 2395 | 4PM 45 SC 180 | €215 |
| | 2000 | 1498 | 5110 | 781 | 2664 | 4PM 45 SC 200 | €240 |
| | 2200 | 1649 | 5626 | 860 | 2933 | 4PM 45 SC 220 | €275 |
| | 2400 | 1800 | 6142 | 938 | 3202 | 4PM 45 SC 240 | €325 |
| 2600 | 1951 | 6657 | 1017 | 3471 | 4PM 45 SC 260 | €395 | |
| 2800 | 2102 | 7173 | 1096 | 3740 | 4PM 45 SC 280 | €460 | |
| 3000 | 2254 | 7689 | 1175 | 4009 | 4PM 45 SC 300 | €520 | |
| 600mm | 400 | 368 | 1257 | 190 | 650 | 4PM 60 SC 40 | €85 |
| | 500 | 466 | 1588 | 241 | 821 | 4PM 60 SC 50 | €95 |
| | 600 | 563 | 1920 | 291 | 993 | 4PM 60 SC 60 | €110 |
| | 700 | 659 | 2248 | 341 | 1162 | 4PM 60 SC 70 | €115 |
| | 800 | 756 | 2579 | 391 | 1334 | 4PM 60 SC 80 | €120 |
| | 900 | 852 | 2907 | 441 | 1503 | 4PM 60 SC 90 | €135 |
| | 1000 | 949 | 3238 | 491 | 1674 | 4PM 60 SC 100 | €155 |
| | 1100 | 1046 | 3570 | 541 | 1846 | 4PM 60 SC 110 | €160 |
| | 1200 | 1142 | 3898 | 591 | 2015 | 4PM 60 SC 120 | €170 |
| | 1400 | 1336 | 4557 | 691 | 2356 | 4PM 60 SC 140 | €200 |
| | 1600 | 1530 | 5220 | 791 | 2699 | 4PM 60 SC 160 | €225 |
| | 1800 | 1723 | 5879 | 891 | 3040 | 4PM 60 SC 180 | €250 |
| | 2000 | 1916 | 6539 | 991 | 3381 | 4PM 60 SC 200 | €280 |
| | 2200 | 2110 | 7199 | 1091 | 3722 | 4PM 60 SC 220 | €335 |
| | 2400 | 2303 | 7857 | 1191 | 4063 | 4PM 60 SC 240 | €405 |
| 2600 | 2497 | 8520 | 1291 | 4405 | 4PM 60 SC 260 | €465 | |
| 2800 | 2690 | 9179 | 1391 | 4746 | 4PM 60 SC 280 | €535 | |
| 3000 | 2884 | 9839 | 1491 | 5087 | 4PM 60 SC 300 | €610 | |
| 700mm | 300 | 305 | 1042 | 156 | 534 | 4PM 70 SC 30 | €95 |
| | 400 | 418 | 1426 | 214 | 730 | 4PM 70 SC 40 | €100 |
| | 500 | 528 | 1802 | 270 | 923 | 4PM 70 SC 50 | €110 |
| | 600 | 638 | 2178 | 327 | 1115 | 4PM 70 SC 60 | €120 |
| | 700 | 747 | 2550 | 383 | 1306 | 4PM 70 SC 70 | €130 |
| | 800 | 858 | 2926 | 439 | 1499 | 4PM 70 SC 80 | €140 |
| | 900 | 967 | 3298 | 495 | 1689 | 4PM 70 SC 90 | €160 |
| | 1000 | 1077 | 3674 | 551 | 1882 | 4PM 70 SC 100 | €170 |
| | 1100 | 1187 | 4050 | 608 | 2074 | 4PM 70 SC 110 | €185 |
| | 1200 | 1296 | 4422 | 664 | 2265 | 4PM 70 SC 120 | €200 |
| | 1400 | 1515 | 5170 | 776 | 2648 | 4PM 70 SC 140 | €240 |
| | 1600 | 1736 | 5922 | 889 | 3033 | 4PM 70 SC 160 | €270 |
| | 2200 | 2393 | 8166 | 1226 | 4182 | 4PM 70 SC 220 | €415 |
| | 2400 | 2613 | 8914 | 1338 | 4566 | 4PM 70 SC 240 | €485 |
| | 2600 | 2833 | 9666 | 1451 | 4951 | 4PM 70 SC 260 | €560 |
| 2800 | 3052 | 10414 | 1563 | 5334 | 4PM 70 SC 280 | €650 | |
| 3000 | 3271 | 11162 | 1676 | 5717 | 4PM 70 SC 300 | €730 | |

PREMIER METRIC

Heat outputs












Double Convector Type 22



| Heat Outputs @ ΔT 50°C | | Heat Outputs @ ΔT 30°C | | Order Code | RRP |
|---------------------------|-------|---------------------------|-------|---------------|-------|
| Watts | Btu/h | Watts | Btu/h | | |
| 387 | 1322 | 201 | 686 | 4PM 30 DC 40 | €180 |
| 795 | 2712 | 413 | 1408 | 4PM 30 DC 80 | €240 |
| 1201 | 4098 | 624 | 2129 | 4PM 30 DC 120 | €310 |
| 1609 | 5489 | 835 | 2851 | 4PM 30 DC 160 | €385 |
| 2015 | 6875 | 1047 | 3571 | 4PM 30 DC 200 | €480 |
| 2421 | 8262 | 1258 | 4291 | 4PM 30 DC 240 | €570 |
| 3032 | 10345 | 1575 | 5373 | 4PM 30 DC 300 | €750 |
| | | | | | |
| 545 | 1861 | 279 | 953 | 4PM 45 DC 40 | €120 |
| 689 | 2351 | 353 | 1204 | 4PM 45 DC 50 | €150 |
| 833 | 2841 | 427 | 1455 | 4PM 45 DC 60 | €180 |
| 975 | 3327 | 499 | 1704 | 4PM 45 DC 70 | €190 |
| 1119 | 3817 | 573 | 1955 | 4PM 45 DC 80 | €205 |
| 1261 | 4303 | 646 | 2204 | 4PM 45 DC 90 | €220 |
| 1405 | 4793 | 720 | 2455 | 4PM 45 DC 100 | €240 |
| 1548 | 5283 | 793 | 2706 | 4PM 45 DC 110 | €265 |
| 1691 | 5769 | 866 | 2955 | 4PM 45 DC 120 | €295 |
| 1977 | 6745 | 1013 | 3455 | 4PM 45 DC 140 | €340 |
| 2264 | 7726 | 1160 | 3957 | 4PM 45 DC 160 | €385 |
| 2550 | 8702 | 1306 | 4457 | 4PM 45 DC 180 | €440 |
| 2836 | 9678 | 1453 | 4957 | 4PM 45 DC 200 | €485 |
| 3123 | 10654 | 1600 | 5458 | 4PM 45 DC 220 | €550 |
| 3409 | 11631 | 1746 | 5958 | 4PM 45 DC 240 | €665 |
| 3695 | 12608 | 1893 | 6458 | 4PM 45 DC 260 | €740 |
| 3981 | 13585 | 2039 | 6959 | 4PM 45 DC 280 | €845 |
| 4268 | 14562 | 2186 | 7459 | 4PM 45 DC 300 | €965 |
| | | | | | |
| 691 | 2357 | 351 | 1198 | 4PM 60 DC 40 | €130 |
| 873 | 2978 | 444 | 1514 | 4PM 60 DC 50 | €190 |
| 1055 | 3599 | 536 | 1830 | 4PM 60 DC 60 | €200 |
| 1235 | 4215 | 628 | 2143 | 4PM 60 DC 70 | €220 |
| 1417 | 4836 | 721 | 2459 | 4PM 60 DC 80 | €235 |
| 1598 | 5451 | 812 | 2771 | 4PM 60 DC 90 | €265 |
| 1780 | 6072 | 905 | 3087 | 4PM 60 DC 100 | €295 |
| 1962 | 6693 | 997 | 3403 | 4PM 60 DC 110 | €315 |
| 2142 | 7309 | 1089 | 3716 | 4PM 60 DC 120 | €340 |
| 2504 | 8545 | 1273 | 4344 | 4PM 60 DC 140 | €400 |
| 2868 | 9787 | 1458 | 4976 | 4PM 60 DC 160 | €460 |
| 3231 | 11024 | 1643 | 5604 | 4PM 60 DC 180 | €520 |
| 3593 | 12260 | 1827 | 6233 | 4PM 60 DC 200 | €570 |
| 3956 | 13496 | 2011 | 6862 | 4PM 60 DC 220 | €660 |
| 4318 | 14733 | 2195 | 7490 | 4PM 60 DC 240 | €780 |
| 4682 | 15975 | 2380 | 8122 | 4PM 60 DC 260 | €895 |
| 5044 | 17212 | 2565 | 8750 | 4PM 60 DC 280 | €1020 |
| 5407 | 18448 | 2749 | 9379 | 4PM 60 DC 300 | €1150 |
| | | | | | |
| 572 | 1951 | 291 | 992 | 4PM 70 DC 30 | €170 |
| 783 | 2670 | 398 | 1357 | 4PM 70 DC 40 | €180 |
| 989 | 3374 | 503 | 1715 | 4PM 70 DC 50 | €210 |
| 1195 | 4077 | 607 | 2073 | 4PM 70 DC 60 | €230 |
| 1399 | 4774 | 711 | 2427 | 4PM 70 DC 70 | €250 |
| 1605 | 5478 | 816 | 2785 | 4PM 70 DC 80 | €285 |
| 1810 | 6175 | 920 | 3139 | 4PM 70 DC 90 | €325 |
| 2016 | 6878 | 1025 | 3496 | 4PM 70 DC 100 | €335 |
| 2222 | 7582 | 1130 | 3854 | 4PM 70 DC 110 | €405 |
| 2426 | 8279 | 1233 | 4208 | 4PM 70 DC 120 | €440 |
| 2837 | 9679 | 1442 | 4920 | 4PM 70 DC 140 | €515 |
| 3249 | 11087 | 1652 | 5636 | 4PM 70 DC 160 | €520 |
| 4481 | 15288 | 2278 | 7771 | 4PM 70 DC 220 | €810 |
| 4891 | 16689 | 2486 | 8483 | 4PM 70 DC 240 | €1035 |
| 5304 | 18096 | 2696 | 9199 | 4PM 70 DC 260 | €1180 |
| 5714 | 19497 | 2905 | 9911 | 4PM 70 DC 280 | €1340 |
| 6125 | 20897 | 3113 | 10623 | 4PM 70 DC 300 | €1520 |



PREMIER METRIC

- 
CERTIFICATION
 Manufactured and tested to BS EN 442 & EN 442. Carries the BS Kitemark, CE & UKCA Mark. Produced under a quality management system - ISO 9001:2015, environmental management system - ISO 14001:2015 and Occupational health and safety management system - ISO 45001:2018.
- 
GUARANTEE
 10 year guarantee from date of purchase against manufacturing defects.
- 
COLOUR
 All radiators are de-greased, phosphated and primer coated. An epoxy polyester finishing coat in white (RAL 9016) is applied to all front and rear surfaces.
- 
ACCESSORIES
 Touch up paint available on request.
- 
SYSTEM
 2 pipe pumped indirect domestic and commercial heating applications.
- 
CONNECTIONS
 4 x 1/2" BSP. Please see below.
- 
AIR VENTS
 Air vent and plug packs are included in the packaging.
- 
OPERATING PRESSURES
 Tested to a pressure of 7 bar.
 Working pressure of up to 5.4 bar.
- 
OPERATING TEMPERATURE
 Maximum 100°C.
- 
VALVES
 Please see page 32-35
- 
BIM
 Visit our website to download the BIM components
www.myson.co.uk/bim

*All Prices include VAT



PURMO Design Range

SLIEVE

A popular choice amongst households, the Slieve with its smooth front panel combines designer style with exceptionally high heat outputs. Available in horizontal and vertical models, Slieve complements a range of interiors without compromising on performance.

Horizontal

- Available in five heights from **288mm to 723mm**
- Available in ten lengths from **500mm to 2000mm**
- Available in 5 types (**H10, H11, H20, H21 and H22**)

Vertical

- Available in three heights from **1600mm to 2000mm**
- Available in nine lengths from **288mm to 868mm**
- Available in type **V10 and V20**

Features

- Durable powder coated in white RAL 9016 paint for a brighter, whiter finish
- Available in our 9 colours
- Full 10-year warranty
- Manufactured and tested to BS EN 442



Add a little colour to your life

A little bit of colour can magically brighten up a room and what better way to complement an interior decor than with a colourful radiator? We offer an extensive range of colours for our Slieve, Adagio, Forza ranges and deliver within 6-8 weeks of ordering.

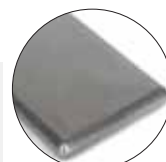
Colours for style and choice

Selected to complement the stylish design of our radiators, our colours reflect the beauty of contemporary trends like a breath of warm air.

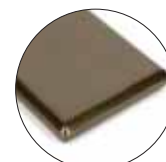
From our sleek Champagne to our shimmering Matt Charcoal, our colours are extraordinary.



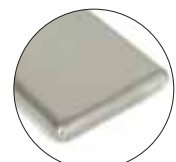
Slieve double vertical in copper



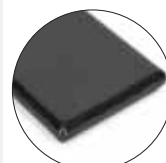
Silver



Bronze



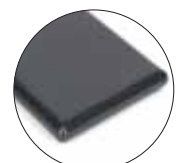
Champagne



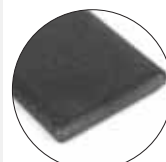
Black Quartz



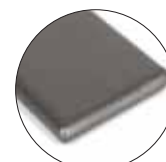
Copper



Anthracite



Matt Charcoal



Matt Iron Oxide



Gun Metal



Slieve single vertical in white

Slieve Horizontal - Single Panel H10

SLIEVE

| Product Code | Height (mm) | Length (mm) | Rows of Tubes | Outputs @ dt50 | | Outputs @ dt30 | | Weight (Kg) | White RRP | Colour Code | Colour RRP |
|--------------|-------------|-------------|---------------|----------------|--------|----------------|--------|-------------|-----------|-------------|------------|
| | | | | Watts | BTU/Hr | Watts | BTU/Hr | | | | |
| QHP1026 | 578 | 800 | 8 | 487 | 1662 | 258 | 880 | 14.19 | €480 | QHP1026RAL | POA |
| QHP1028 | | 1000 | 8 | 609 | 2078 | 322 | 1099 | 17.74 | €510 | QHP1028RAL | POA |
| QHP1030 | | 1200 | 8 | 731 | 2494 | 386 | 1317 | 21.29 | €540 | QHP1030RAL | POA |
| QHP1031 | | 1400 | 8 | 853 | 2910 | 451 | 1539 | 24.84 | €575 | QHP1031RAL | POA |
| QHP1032 | | 1600 | 8 | 974 | 3323 | 515 | 1757 | 28.38 | €600 | QHP1032RAL | POA |

Slieve Horizontal - Single Panel Single Convactor H11

| Product Code | Height (mm) | Length (mm) | Rows of Tubes | Outputs @ dt50 | | Outputs @ dt30 | | Weight (Kg) | White RRP | Colour Code | Colour RRP |
|----------------|-------------|-------------|---------------|----------------|-------------|----------------|--------------|--------------|--------------|-------------|------------|
| | | | | Watts | BTU/Hr | Watts | BTU/Hr | | | | |
| QHP1161 | 433 | 600 | 6 | 434 | 1481 | 228 | 778 | 10.63 | €440 | QHP1161RAL | POA |
| QHP1162 | | 800 | 6 | 578 | 1972 | 304 | 1037 | 14.18 | €490 | QHP1162RAL | POA |
| QHP1102 | | 1000 | 6 | 723 | 2467 | 380 | 1297 | 17.72 | €520 | QHP1102RAL | POA |
| QHP1163 | | 1200 | 6 | 868 | 2962 | 456 | 1556 | 21.26 | €560 | QHP1163RAL | POA |
| QHP1103 | | 1400 | 6 | 1012 | 3453 | 532 | 1815 | 24.81 | €595 | QHP1103RAL | POA |
| QHP114316 | 1600 | 6 | 1157 | 3948 | 608 | 2074 | 28.35 | €610 | QHP114316RAL | POA | |
| QHP1104 | 1800 | 6 | 1301 | 4439 | 684 | 2334 | 31.90 | €655 | QHP1104RAL | POA | |

| | | | | | | | | | | |
|----------------|-------------|----------|-------------|-------------|------------|-------------|--------------|-------------|------------|-----|
| QHP1164 | 500 | 7 | 409 | 1396 | 215 | 734 | 10.35 | €465 | QHP1164RAL | POA |
| QHP1115 | 600 | 7 | 490 | 1672 | 258 | 880 | 12.42 | €495 | QHP1115RAL | POA |
| QHP1165 | 700 | 7 | 572 | 1952 | 301 | 1027 | 14.49 | €525 | QHP1165RAL | POA |
| QHP1116 | 800 | 7 | 654 | 2231 | 344 | 1174 | 16.56 | €555 | QHP1116RAL | POA |
| QHP1112 | 1000 | 7 | 817 | 2788 | 430 | 1467 | 20.70 | €590 | QHP1112RAL | POA |
| QHP1117 | 1200 | 7 | 980 | 3344 | 516 | 1761 | 24.84 | €810 | QHP1117RAL | POA |
| QHP1113 | 1400 | 7 | 1144 | 3903 | 602 | 2054 | 28.98 | €665 | QHP1113RAL | POA |
| QHP1118 | 1600 | 7 | 1307 | 4459 | 688 | 2347 | 33.12 | €695 | QHP1118RAL | POA |
| QHP1114 | 1800 | 7 | 1471 | 5019 | 774 | 2641 | 37.26 | €730 | QHP1114RAL | POA |
| QHP1119 | 2000 | 7 | 1634 | 5575 | 860 | 2934 | 41.40 | €765 | QHP1119RAL | POA |

| | | | | | | | | | | |
|----------------|-------------|----------|-------------|-------------|------------|-------------|--------------|-------------|------------|-----|
| QHP1166 | 500 | 8 | 459 | 1566 | 242 | 826 | 11.86 | €495 | QHP1166RAL | POA |
| QHP1105 | 600 | 8 | 551 | 1880 | 290 | 989 | 14.23 | €535 | QHP1105RAL | POA |
| QHP1167 | 700 | 8 | 643 | 2194 | 339 | 1157 | 16.60 | €555 | QHP1167RAL | POA |
| QHP1125 | 800 | 8 | 734 | 2504 | 387 | 1320 | 18.98 | €580 | QHP1125RAL | POA |
| QHP1106 | 1000 | 8 | 918 | 3132 | 484 | 1651 | 23.72 | €630 | QHP1106RAL | POA |
| QHP1126 | 1200 | 8 | 1102 | 3760 | 580 | 1979 | 28.46 | €670 | QHP1126RAL | POA |
| QHP1107 | 1400 | 8 | 1285 | 4384 | 677 | 2310 | 33.21 | €710 | QHP1107RAL | POA |
| QHP1127 | 1600 | 8 | 1469 | 5012 | 774 | 2641 | 37.95 | €755 | QHP1127RAL | POA |
| QHP1108 | 1800 | 8 | 1652 | 5637 | 870 | 2968 | 42.70 | €795 | QHP1108RAL | POA |
| QHP1170 | 2000 | 8 | 1836 | 6264 | 967 | 3299 | 47.44 | €900 | QHP1170RAL | POA |

| | | | | | | | | | | |
|----------------|-------------|-----------|-------------|-------------|------------|-------------|--------------|-------------|------------|-----|
| QHP1171 | 500 | 10 | 569 | 1941 | 299 | 1020 | 14.84 | €565 | QHP1171RAL | POA |
| QHP1172 | 600 | 10 | 683 | 2330 | 359 | 1225 | 17.80 | €615 | QHP1172RAL | POA |
| QHP1174 | 800 | 10 | 910 | 3105 | 478 | 1631 | 23.74 | €665 | QHP1174RAL | POA |
| QHP1176 | 1000 | 10 | 1138 | 3883 | 598 | 2040 | 29.67 | €710 | QHP1176RAL | POA |
| QHP1178 | 1200 | 10 | 1366 | 4661 | 717 | 2446 | 35.60 | €860 | QHP1178RAL | POA |
| QHP1179 | 1400 | 10 | 1593 | 5435 | 837 | 2856 | 41.54 | €865 | QHP1179RAL | POA |
| QHP1180 | 1600 | 10 | 1821 | 6213 | 956 | 3262 | 47.47 | €890 | QHP1180RAL | POA |

Slieve Horizontal - Double Panel H20

| Product Code | Height (mm) | Length (mm) | Rows of Tubes | Outputs @ dt50 | | Outputs @ dt30 | | Weight (Kg) | White RRP | Colour Code | Colour RRP |
|--------------|-------------|-------------|---------------|----------------|--------|----------------|--------|-------------|-----------|-------------|------------|
| | | | | Watts | BTU/Hr | Watts | BTU/Hr | | | | |
| QHP20580 | 578 | 800 | 8 | 864 | 2948 | 454 | 1549 | 25.88 | €470 | QHP20580RAL | POA |
| QHP20581 | | 1000 | 8 | 1080 | 3685 | 568 | 1938 | 32.35 | €610 | QHP20581RAL | POA |
| QHP20582 | | 1200 | 8 | 1296 | 4422 | 681 | 2324 | 38.82 | €650 | QHP20582RAL | POA |
| QHP20583 | | 1400 | 8 | 1512 | 5159 | 795 | 2713 | 45.29 | €695 | QHP20583RAL | POA |
| QHP20584 | | 1600 | 8 | 1728 | 5896 | 908 | 3098 | 51.76 | €760 | QHP20584RAL | POA |

Slieve Horizontal - Double Panel Single Convactor H21

| Product Code | Height (mm) | Length (mm) | Rows of Tubes | Outputs @ dt50 | | Outputs @ dt30 | | Weight (Kg) | White RRP | Colour Code | Colour RRP |
|--------------|-------------|-------------|---------------|----------------|--------|----------------|--------|-------------|-----------|-------------|------------|
| | | | | Watts | BTU/Hr | Watts | BTU/Hr | | | | |
| QHP2104 | 578 | 800 | 8 | 1114 | 3801 | 579 | 1976 | 31.18 | €670 | QHP2104RAL | POA |
| QHP2105 | | 1000 | 8 | 1392 | 4750 | 724 | 2470 | 38.98 | €760 | QHP2105RAL | POA |
| QHP2106 | | 1200 | 8 | 1670 | 5698 | 869 | 2965 | 46.78 | €855 | QHP2106RAL | POA |
| QHP21725 | 723 | 800 | 10 | 1324 | 4517 | 680 | 2320 | 39.06 | €730 | QHP21725RAL | POA |
| QHP21726 | | 1000 | 10 | 1655 | 5647 | 851 | 2904 | 48.82 | €1120 | QHP21726RAL | POA |

Heat output shown at ΔT 50°C and ΔT 30°C. All Heat outputs tested according to EN442.

*Orders are subject to Lead time and availability from the manufacturer

*All prices include VAT

Slieve Horizontal - Double Panel Double Convectur H22

| Product Code | Height (mm) | Length (mm) | Rows of Tubes | Outputs @ dt50 | | Outputs @ dt30 | | Weight (Kg) | White RRP | Colour Code | Colour RRP | |
|--------------|-------------|-------------|---------------|----------------|--------|----------------|--------|-------------|-----------|---------------|---------------|-----|
| | | | | Watts | BTU/Hr | Watts | BTU/Hr | | | | | |
| QHP22S04 | 288 | 1000 | 4 | 1063 | 3627 | 566 | 1931 | 22.84 | €710 | QHP22S04RAL | POA | |
| QHP22S15 | | 1200 | 4 | 1276 | 4354 | 679 | 2317 | 27.41 | €745 | QHP22S15RAL | POA | |
| QHP22S4310 | 433 | 1000 | 6 | 1455 | 4964 | 763 | 2603 | 33.79 | €750 | QHP22S4310RAL | POA | |
| QHP22S4312 | | 1200 | 6 | 1746 | 5957 | 915 | 3122 | 40.55 | €785 | QHP22S4312RAL | POA | |
| QHP22S4314 | | 1400 | 6 | 2037 | 6950 | 1068 | 3644 | 47.31 | €920 | QHP22S4314RAL | POA | |
| QHP22S4318 | | 1800 | 6 | 2619 | 8936 | 1373 | 4685 | 60.82 | €1100 | QHP22S4318RAL | POA | |
| QHP22S5006 | 505 | 600 | 7 | 980 | 3344 | 510 | 1740 | 23.76 | €730 | QHP22S5006RAL | POA | |
| QHP22S5008 | | 800 | 7 | 1307 | 4459 | 681 | 2324 | 31.68 | €805 | QHP22S5008RAL | POA | |
| QHP22S5010 | | 1000 | 7 | 1634 | 5575 | 851 | 2904 | 39.60 | €870 | QHP22S5010RAL | POA | |
| QHP22S5012 | | 1200 | 7 | 1961 | 6691 | 1021 | 3484 | 47.52 | €895 | QHP22S5012RAL | POA | |
| QHP22S5014 | | 1400 | 7 | 2288 | 7807 | 1191 | 4064 | 55.44 | €1255 | QHP22S5014RAL | POA | |
| QHP22S5016 | | 1600 | 7 | 2614 | 8919 | 1361 | 4644 | 63.36 | €1355 | QHP22S5016RAL | POA | |
| QHP22S5018 | | 1800 | 7 | 2941 | 10035 | 1531 | 5224 | 71.28 | €1450 | QHP22S5018RAL | POA | |
| QHP22S5020 | | 2000 | 7 | 3268 | 11150 | 1702 | 5807 | 79.20 | €1500 | QHP22S5020RAL | POA | |
| QHP22S21 | 578 | 600 | 8 | 1084 | 3699 | 561 | 1914 | 27.29 | €750 | QHP22S21RAL | POA | |
| QHP22S22 | | 800 | 8 | 1446 | 4934 | 748 | 2552 | 36.39 | €835 | QHP22S22RAL | POA | |
| QHP22S23 | | 1000 | 8 | 1807 | 6165 | 935 | 3190 | 45.49 | €950 | QHP22S23RAL | POA | |
| QHP22S24 | | 1200 | 8 | 2168 | 7397 | 1121 | 3825 | 54.59 | €1070 | QHP22S24RAL | POA | |
| QHP22S25 | | 1400 | 8 | 2530 | 8632 | 1308 | 4463 | 64.69 | €1285 | QHP22S25RAL | POA | |
| QHP22S26 | | 1600 | 8 | 2891 | 9864 | 1495 | 5101 | 72.78 | €1390 | QHP22S26RAL | POA | |
| QHP22S5718 | | 1800 | 8 | 3253 | 11099 | 1682 | 5739 | 81.88 | €1485 | QHP22S5718RAL | POA | |
| QHP22S27 | | 2000 | 8 | 3614 | 12331 | 1869 | 6377 | 90.98 | €1540 | QHP22S27RAL | POA | |
| QHP22S7205 | | 723 | 500 | 10 | 1063 | 3627 | 545 | 1860 | 28.53 | €765 | QHP22S7205RAL | POA |
| QHP22S39 | | | 600 | 10 | 1276 | 4354 | 654 | 2231 | 34.24 | €790 | QHP22S39RAL | POA |
| QHP22S7207 | | | 700 | 10 | 1488 | 5077 | 763 | 2603 | 39.94 | €830 | QHP22S7207RAL | POA |
| QHP22S40 | | | 800 | 10 | 1701 | 5804 | 872 | 2975 | 45.65 | €915 | QHP22S40RAL | POA |
| QHP22S41 | 1000 | | 10 | 2126 | 7254 | 1090 | 3719 | 57.06 | €1120 | QHP22S41RAL | POA | |
| QHP22S42 | 1200 | | 10 | 2551 | 8704 | 1308 | 4463 | 68.47 | €1280 | QHP22S42RAL | POA | |

SLIEVE

Slieve Vertical - Single Panel V10

| Product Code | Height (mm) | Length (mm) | Rows of Tubes | Outputs @ dt50 | | Outputs @ dt30 | | Weight (Kg) | White RRP | Colour Code | Colour RRP |
|--------------|-------------|-------------|---------------|----------------|--------|----------------|--------|-------------|-----------|-------------|------------|
| | | | | Watts | BTU/Hr | Watts | BTU/Hr | | | | |
| QV1043W | 1600 | 288 | 4 | 559 | 1907 | 285 | 972 | 13.29 | €500 | QV1043RAL | POA |
| QV1044W | | 433 | 6 | 811 | 2767 | 413 | 1409 | 19.67 | €605 | QV1044RAL | POA |
| QV1016W | | 505 | 7 | 933 | 3183 | 475 | 1621 | 22.84 | €640 | QV1016RAL | POA |
| QV1017W | | 578 | 8 | 1056 | 3603 | 538 | 1836 | 26.05 | €700 | QV1017RAL | POA |
| QV1045W | 1800 | 288 | 4 | 625 | 2133 | 318 | 1085 | 14.80 | €520 | QV1045RAL | POA |
| QV1013W | | 433 | 6 | 906 | 3091 | 461 | 1573 | 21.89 | €630 | QV1013RAL | POA |
| QV1022W | | 505 | 7 | 1042 | 3555 | 530 | 1808 | 25.41 | €665 | QV1022RAL | POA |
| QV1014W | | 578 | 8 | 1178 | 4019 | 599 | 2044 | 28.99 | €720 | QV1014RAL | POA |
| QV1023W | 2000 | 650 | 9 | 1311 | 4473 | 667 | 2276 | 32.51 | €755 | QV1023RAL | POA |
| QV1024W | | 795 | 11 | 1576 | 5377 | 802 | 2736 | 39.60 | €920 | QV1024RAL | POA |
| QV1001W | | 288 | 4 | 690 | 2354 | 350 | 1194 | 16.30 | €570 | QV1001RAL | POA |
| QV1002W | | 433 | 6 | 1000 | 3412 | 508 | 1733 | 24.16 | €655 | QV1002RAL | POA |
| QV1012W | 2000 | 505 | 7 | 1151 | 3927 | 585 | 1996 | 28.06 | €730 | QV1012RAL | POA |
| QV1004W | | 578 | 8 | 1302 | 4442 | 662 | 2259 | 32.01 | €765 | QV1004RAL | POA |
| QV1003W | | 650 | 9 | 1449 | 4944 | 737 | 2515 | 35.91 | €805 | QV1003RAL | POA |
| QV1005W | | 723 | 10 | 1596 | 5446 | 812 | 2771 | 39.87 | €855 | QV1005RAL | POA |
| QV1026W | | 795 | 11 | 1740 | 5937 | 886 | 3023 | 43.77 | €915 | QV1026RAL | POA |

Slieve Vertical - Double Panel V20

| Product Code | Height (mm) | Length (mm) | Rows of Tubes | Outputs @ dt50 | | Outputs @ dt30 | | Weight (Kg) | White RRP | Colour Code | Colour RRP | |
|--------------|-------------|-------------|---------------|----------------|--------|----------------|--------|-------------|-----------|-------------|-------------|-----|
| | | | | Watts | BTU/Hr | Watts | BTU/Hr | | | | | |
| QV2006W | 1600 | 505 | 7 | 1440 | 4913 | 726 | 2477 | 43.71 | €920 | QV2006RAL | POA | |
| QV2007W | | 578 | 8 | 1627 | 5551 | 821 | 2801 | 49.96 | €945 | QV2007RAL | POA | |
| QV2008W | | 650 | 9 | 1810 | 6176 | 914 | 3119 | 56.11 | €1025 | QV2008RAL | POA | |
| QV201828W | | 288 | 4 | 963 | 3286 | 481 | 1641 | 28.10 | €650 | QV201828RAL | POA | |
| QV201836W | 1800 | 360 | 5 | 1179 | 4023 | 590 | 2013 | 34.99 | €700 | QV201836RAL | POA | |
| QV2036W | | 433 | 6 | 1394 | 4756 | 699 | 2385 | 41.97 | €780 | QV2036RAL | POA | |
| QV2012W | | 505 | 7 | 1603 | 5469 | 805 | 2747 | 48.86 | €940 | QV2012RAL | POA | |
| QV2013W | | 578 | 8 | 1811 | 6179 | 911 | 3108 | 55.84 | €975 | QV2013RAL | POA | |
| QV2014W | | 650 | 9 | 2014 | 6872 | 1015 | 3463 | 62.73 | €1050 | QV2014RAL | POA | |
| QV2015W | | 723 | 10 | 2218 | 7568 | 1120 | 3821 | 69.71 | €1115 | QV2015RAL | POA | |
| QV2016W | | 795 | 11 | 2418 | 8250 | 1223 | 4173 | 76.60 | €1165 | QV2016RAL | POA | |
| QV2017W | | 868 | 12 | 2626 | 8960 | 1327 | 4528 | 83.56 | €1215 | QV2017RAL | POA | |
| QV2001W | | 2000 | 288 | 4 | 1061 | 3620 | 525 | 1791 | 31.13 | €670 | QV2001RAL | POA |
| QV202036W | | | 360 | 5 | 1299 | 4432 | 645 | 2201 | 38.76 | €750 | QV202036RAL | POA |
| QV2002W | | | 433 | 6 | 1535 | 5237 | 765 | 2610 | 46.50 | €840 | QV2002RAL | POA |
| QV2018W | | | 505 | 7 | 1765 | 6022 | 882 | 3009 | 54.13 | €980 | QV2018RAL | POA |
| QV2004W | 578 | | 8 | 1994 | 6804 | 1000 | 3412 | 61.87 | €1030 | QV2004RAL | POA | |
| QV2003W | 650 | | 9 | 2218 | 7568 | 1116 | 3808 | 69.50 | €1095 | QV2003RAL | POA | |
| QV2005W | 723 | | 10 | 2443 | 8336 | 1233 | 4207 | 77.24 | €1165 | QV2005RAL | POA | |
| QV2019W | 795 | | 11 | 2662 | 9083 | 1348 | 4599 | 84.87 | €1240 | QV2019RAL | POA | |
| QV2020W | 868 | | 12 | 2891 | 9864 | 1464 | 4995 | 92.59 | €1290 | QV2020RAL | POA | |



PURMO Design Range

ADAGIO

Adagio goes beyond a traditional column radiator with its flat panels in 35mm and 70mm widths. Available in horizontal and vertical designs, its clean lines and sleek finish guarantees style in any room. Choose from single or double columns.

Adagio 35 - Horizontal

- Available in one standard height of **600mm**
- Available in five lengths from **630mm to 1995mm**
- Available in **single and double** flat columns

Adagio 35 - Vertical

- Available in one standard height of **1800mm**
- Available in four lengths from **420mm to 630mm**
- Available in **single** flat column only

Adagio 70 - Vertical

- Available in two heights from **1800mm and 2000mm**
- Available in six widths from **320mm to 680mm**
- Available in **single and double** flat columns



Features

- Durable powder coated in white RAL 9016 paint for a brighter, whiter finish
- Available in our 9 colours. Pricing available on request
- Full 10-year warranty
- Manufactured and tested to BS EN 442



Adagio 35 double horizontal in silver



Adagio 35 single vertical in bronze

Adagio 35 - Horizontal - Single

| Product Code | Height (mm) | Length (mm) | Rows of Tubes | Outputs @ dt50 | | Outputs @ dt30 | | Weight (Kg) | White RRP | Colour Code | Colour RRP |
|--------------|-------------|-------------|---------------|----------------|--------|----------------|--------|-------------|-----------|-------------|------------|
| | | | | Watts | BTU/Hr | Watts | BTU/Hr | | | | |
| QS3501W | 600 | 630 | 18 | 549 | 1873 | 287 | 979 | 10.44 | €490 | QS3501RAL | POA |
| QS3505W | | 840 | 24 | 732 | 2498 | 383 | 1307 | 17.52 | €550 | QS3505RAL | POA |
| QS3502W | | 980 | 28 | 854 | 2914 | 446 | 1522 | 20.44 | €605 | QS3502RAL | POA |
| QS3503W | | 1400 | 40 | 1220 | 4163 | 638 | 2177 | 29.20 | €925 | QS3503RAL | POA |
| QS3504W | | 1995 | 57 | 1739 | 5934 | 908 | 3098 | 41.61 | €1155 | QS3504RAL | POA |

Adagio 35 - Horizontal - Double

| Product Code | Height (mm) | Length (mm) | Rows of Tubes | Outputs @ dt50 | | Outputs @ dt30 | | Weight (Kg) | White RRP | Colour Code | Colour RRP |
|--------------|-------------|-------------|---------------|----------------|--------|----------------|--------|-------------|-----------|-------------|------------|
| | | | | Watts | BTU/Hr | Watts | BTU/Hr | | | | |
| QD3502W | 600 | 980 | 28 | 1389 | 4739 | 705 | 2405 | 33.60 | €1105 | QD3502RAL | POA |
| QD3503W | | 1400 | 40 | 1984 | 6769 | 1007 | 3436 | 48.00 | €1325 | QD3503RAL | POA |
| QD3504W | | 1995 | 57 | 2827 | 9646 | 1436 | 4900 | 68.40 | €1890 | QD3504RAL | POA |

Adagio 35 - Vertical - Single

| Product Code | Height (mm) | Length (mm) | Rows of Tubes | Outputs @ dt50 | | Outputs @ dt30 | | Weight (Kg) | White RRP | Colour Code | Colour RRP |
|--------------|-------------|-------------|---------------|----------------|--------|----------------|--------|-------------|-----------|-------------|------------|
| | | | | Watts | BTU/Hr | Watts | BTU/Hr | | | | |
| QS351842W | 1800 | 420 | 12 | 983 | 3354 | 508 | 1733 | 23.28 | €675 | QS351842RAL | POA |
| QS351849W | | 490 | 14 | 1147 | 3914 | 592 | 2020 | 27.16 | €690 | QS351849RAL | POA |
| QS351859W | | 595 | 17 | 1392 | 4750 | 719 | 2453 | 32.98 | €705 | QS351859RAL | POA |
| QS351863W | | 630 | 18 | 1474 | 5029 | 761 | 2597 | 34.92 | €740 | QS351863RAL | POA |

Adagio 70 - Vertical - Single

| Product Code | Height (mm) | Length (mm) | Rows of Tubes | Outputs @ dt50 | | Outputs @ dt30 | | Weight (Kg) | White RRP | Colour Code | Colour RRP |
|--------------|-------------|-------------|---------------|----------------|--------|----------------|--------|-------------|-----------|-------------|------------|
| | | | | Watts | BTU/Hr | Watts | BTU/Hr | | | | |
| QS7020W | 1800 | 320 | 8 | 941 | 3221 | 485 | 1655 | 26.80 | €595 | QS7020RAL | POA |
| QS7021W | | 400 | 10 | 1177 | 4026 | 607 | 2071 | 33.50 | €655 | QS7021RAL | POA |
| QS7023W | | 520 | 13 | 1530 | 5234 | 789 | 2692 | 43.55 | €810 | QS7023RAL | POA |
| QS7022W | | 600 | 15 | 1765 | 6039 | 910 | 3105 | 50.25 | €900 | QS7022RAL | POA |
| QS701868W | | 680 | 17 | 2001 | 6844 | 1031 | 3518 | 56.95 | €985 | QS701868RAL | POA |
| QS7001W | 2000 | 320 | 8 | 1040 | 3548 | 535 | 1825 | 30.40 | €715 | QS7001RAL | POA |
| QS7002W | | 400 | 10 | 1300 | 4436 | 669 | 2283 | 38.00 | €765 | QS7002RAL | POA |
| QS7004W | | 480 | 12 | 1560 | 5323 | 803 | 2740 | 45.60 | €880 | QS7004RAL | POA |
| QS7008W | | 520 | 13 | 1690 | 5766 | 870 | 2968 | 49.40 | €915 | QS7008RAL | POA |
| QS7003W | | 600 | 15 | 1950 | 6653 | 1004 | 3426 | 57.00 | €940 | QS7003RAL | POA |
| QS7007W | 680 | 17 | 2210 | 7541 | 1210 | 4160 | 64.60 | €1095 | QS7007RAL | POA | |

Adagio 70 - Vertical - Double

| Product Code | Height (mm) | Length (mm) | Rows of Tubes | Outputs @ dt50 | | Outputs @ dt30 | | Weight (Kg) | White RRP | Colour Code | Colour RRP |
|--------------|-------------|-------------|---------------|----------------|--------|----------------|--------|-------------|-----------|-------------|------------|
| | | | | Watts | BTU/Hr | Watts | BTU/Hr | | | | |
| QD7002W | 2000 | 400 | 10 | 2220 | 7575 | 1126 | 3842 | 73.80 | €1245 | QD7002RAL | POA |
| QD7004W | | 480 | 12 | 2664 | 9090 | 1351 | 4610 | 88.56 | €1390 | QD7004RAL | POA |
| QD7003W | | 600 | 15 | 3330 | 11362 | 1689 | 5763 | 110.70 | €1650 | QD7003RAL | POA |

Heat output shown at ΔT 50°C and ΔT 30°C. All Heat outputs tested according to EN442.

***Orders are subject to lead times and availability from the manufacturer**

***All prices include VAT**



PURMO Design Range

FORZA

Forza combines a traditional look with innovative technology. Sleek and classic in its design, this multi-column radiator comes with double, triple or quadruple columns.

Horizontal

- Available in four heights from **300mm to 750mm**
- Available in seven lengths from **552mm to 1610mm**
- Available in **2, 3 and 4 columns**

Vertical

- Available in two heights of **1800mm and 2000mm**
- Available in three lengths from **332mm to 598mm**
- Available in **2 and 3 columns**

Features

- Durable powder coated in white RAL 9016 paint for a brighter, whiter finish
- Available in our 9 colours (6-8 week lead time)
- Supplied with 1/2" BSP flow diverter to reduce "warm up" time when installed Bottom Opposite End (BOE)
- Full 10-year warranty
- Manufactured and tested to BS EN 442



Forza 2 column vertical in anthracite



Forza 2 column vertical in champagne

| Forza Horizontal - 2 Column | | | | | | | | | | | |
|-----------------------------|-------------|-------------|------------------|----------------|--------|----------------|--------|-------------|-----------|-------------|------------|
| Product Code | Height (mm) | Length (mm) | Rows of Sections | Outputs @ dt50 | | Outputs @ dt30 | | Weight (Kg) | White RRP | Colour Code | Colour RRP |
| | | | | Watts | BTU/Hr | Watts | BTU/Hr | | | | |
| QMC203 | 500 | 552 | 12 | 456 | 1556 | 240 | 819 | 9.60 | €530 | QMC203RAL | POA |
| QMC205 | | 828 | 18 | 684 | 2334 | 360 | 1228 | 14.40 | €740 | QMC205RAL | POA |
| QMC206 | | 1012 | 22 | 836 | 2852 | 440 | 1501 | 17.60 | €840 | QMC206RAL | POA |
| QMC21 | 600 | 552 | 12 | 538 | 1836 | 282 | 962 | 10.80 | €555 | QMC21RAL | POA |
| QMC22 | | 828 | 18 | 806 | 2750 | 423 | 1443 | 16.20 | €765 | QMC22RAL | POA |
| QMC23 | | 1012 | 22 | 986 | 3364 | 518 | 1767 | 19.80 | €865 | QMC23RAL | POA |
| QMC24 | | 1380 | 30 | 1344 | 4586 | 706 | 2409 | 27.00 | €1165 | QMC24RAL | POA |

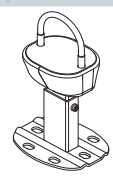
| Forza Horizontal - 3 Column | | | | | | | | | | | |
|-----------------------------|-------------|-------------|---------------|----------------|--------|----------------|--------|-------------|-----------|-------------|------------|
| Product Code | Height (mm) | Length (mm) | Rows of Tubes | Outputs @ dt50 | | Outputs @ dt30 | | Weight (Kg) | White RRP | Colour Code | Colour RRP |
| | | | | Watts | BTU/Hr | Watts | BTU/Hr | | | | |
| QMC301 | 300 | 1012 | 22 | 728 | 2484 | 385 | 1314 | 15.40 | €865 | QMC301RAL | POA |
| QMC302 | | 1472 | 32 | 1059 | 3613 | 559 | 1907 | 22.40 | €1235 | QMC302RAL | POA |
| QMC303 | 500 | 552 | 12 | 619 | 2112 | 326 | 1112 | 14.40 | €620 | QMC303RAL | POA |
| QMC305 | | 828 | 18 | 929 | 3170 | 488 | 1665 | 21.60 | €765 | QMC305RAL | POA |
| QMC306 | | 1012 | 22 | 1135 | 3873 | 597 | 2037 | 26.40 | €895 | QMC306RAL | POA |
| QMC307 | | 1380 | 30 | 1548 | 5282 | 814 | 2777 | 36.00 | €1200 | QMC307RAL | POA |
| QMC314 | | 1472 | 32 | 1651 | 5633 | 868 | 2962 | 38.40 | €1290 | QMC314RAL | POA |
| QMC312 | | 1610 | 35 | 1806 | 6162 | 950 | 3241 | 42.00 | €1380 | QMC312RAL | POA |
| QMC308 | 600 | 552 | 12 | 730 | 2491 | 383 | 1307 | 16.80 | €700 | QMC308RAL | POA |
| QMC309 | | 828 | 18 | 1094 | 3733 | 574 | 1958 | 25.20 | €850 | QMC309RAL | POA |
| QMC310 | | 1012 | 22 | 1338 | 4565 | 702 | 2395 | 30.80 | €1020 | QMC310RAL | POA |
| QMC317 | | 1196 | 26 | 1581 | 5394 | 829 | 2829 | 36.40 | €1240 | QMC317RAL | POA |
| QMC311 | | 1380 | 30 | 1824 | 6223 | 957 | 3265 | 42.00 | €1370 | QMC311RAL | POA |
| QMC371 | 750 | 552 | 12 | 894 | 3050 | 467 | 1593 | 20.40 | €740 | QMC371RAL | POA |
| QMC372 | | 828 | 18 | 1341 | 4575 | 701 | 2392 | 30.60 | €885 | QMC372RAL | POA |
| QMC373 | | 1012 | 22 | 1639 | 5592 | 857 | 2924 | 37.40 | €1065 | QMC373RAL | POA |
| QMC374 | | 1380 | 30 | 2235 | 7626 | 1168 | 3985 | 51.00 | €1430 | QMC374RAL | POA |

| Forza Horizontal - 4 Column | | | | | | | | | | | |
|-----------------------------|-------------|-------------|---------------|----------------|--------|----------------|--------|-------------|-----------|-------------|------------|
| Product Code | Height (mm) | Length (mm) | Rows of Tubes | Outputs @ dt50 | | Outputs @ dt30 | | Weight (Kg) | White RRP | Colour Code | Colour RRP |
| | | | | Watts | BTU/Hr | Watts | BTU/Hr | | | | |
| QMC401 | 300 | 1012 | 22 | 931 | 3177 | 491 | 1675 | 19.80 | €1050 | QMC401RAL | POA |
| QMC402 | | 1472 | 32 | 1354 | 4620 | 714 | 2436 | 28.38 | €1545 | QMC402RAL | POA |
| QMC403 | 600 | 552 | 12 | 973 | 3320 | 509 | 1737 | 21.60 | €790 | QMC403RAL | POA |
| QMC404 | | 828 | 18 | 1460 | 4982 | 764 | 2607 | 32.40 | €1045 | QMC404RAL | POA |
| QMC405 | | 1012 | 22 | 1784 | 6087 | 934 | 3187 | 39.60 | €1245 | QMC405RAL | POA |
| QMC406 | | 1380 | 30 | 2433 | 8301 | 1273 | 4343 | 54.00 | €1470 | QMC406RAL | POA |
| QMC471 | 750 | 552 | 12 | 1200 | 4094 | 625 | 2133 | 26.40 | €860 | QMC471RAL | POA |
| QMC472 | | 828 | 18 | 1800 | 6142 | 938 | 3200 | 39.60 | €1090 | QMC472RAL | POA |
| QMC473 | | 1012 | 22 | 2200 | 7506 | 1146 | 3910 | 48.40 | €1285 | QMC473RAL | POA |
| QMC474 | | 1380 | 30 | 3000 | 10236 | 1563 | 5333 | 66.00 | €1540 | QMC474RAL | POA |

| Forza Vertical - 2 Column | | | | | | | | | | | |
|---------------------------|-------------|-------------|---------------|----------------|--------|----------------|--------|-------------|-----------|-------------|------------|
| Product Code | Height (mm) | Length (mm) | Rows of Tubes | Outputs @ dt50 | | Outputs @ dt30 | | Weight (Kg) | White RRP | Colour Code | Colour RRP |
| | | | | Watts | BTU/Hr | Watts | BTU/Hr | | | | |
| QMC220 | 1800 | 598 | 13 | 1664 | 5664 | 848 | 2893 | 33.80 | €1105 | QMC220RAL | POA |
| QMC27 | 2000 | 322 | 7 | 994 | 3398 | 506 | 1726 | 20.30 | €730 | QMC27RAL | POA |
| QMC28 | | 414 | 9 | 1278 | 4371 | 651 | 2221 | 26.10 | €910 | QMC28RAL | POA |
| QMC29 | | 598 | 13 | 1846 | 6312 | 940 | 3207 | 37.70 | €1270 | QMC29RAL | POA |

| Forza Vertical - 3 Column | | | | | | | | | | | |
|---------------------------|-------------|-------------|---------------|----------------|--------|----------------|--------|-------------|-----------|-------------|------------|
| Product Code | Height (mm) | Length (mm) | Rows of Tubes | Outputs @ dt50 | | Outputs @ dt30 | | Weight (Kg) | White RRP | Colour Code | Colour RRP |
| | | | | Watts | BTU/Hr | Watts | BTU/Hr | | | | |
| QMC323 | 2000 | 414 | 9 | 1746 | 5947 | 893 | 3047 | 39.60 | €1000 | QMC323RAL | POA |
| QMC325 | | 598 | 13 | 2522 | 8588 | 1290 | 4401 | 57.20 | €1365 | QMC325RAL | POA |

| Optional Forza Foot | |
|---------------------|------------------------------|
| Order code | Description |
| QMCF1 | FORZA Foot 90-120 - white |
| QMCF1RAL | FORZA Foot 90-120 - coloured |
| QMCFC1 | FORZA Foot cover - white |



Feet are sold as single unit. Only available for radiators up to 500mm high. Indicate quantity at time of order. Feet covered by a 2-year warranty.
 Forza radiators are supplied with 1/2" BSP flow diverter to reduce "warm up" time when installed Bottom Opposite End (BOE).
 Cannot be installed Top Opposite End (TOE). For full width, add 26mm to the width of the radiator indicated in the pricing tables.

All Forza Radiators: Test Pressure: 13 bar Max Operating Pressure: 10 bar

*Orders are subject to lead times and availability from the manufacturer *All prices include VAT



Heating valves

MYSON has been manufacturing heating valves for over 50 years, producing millions of units on an annual basis. Using environmentally friendly chrome 3 for our manual valves and TRV products, These high quality heating valves are supplied using sustainable and responsible packing.

All MYSON valves are produced under ISO 9001:2008, so whichever products from the range you choose, you are guaranteed they will be the highest quality.

MATCHMATE

The MATCHMATE range of radiator valves is ideal for use within central heating systems in the domestic housing market. They are available in a number of different models, including compression, pushfit, straight and angled, to suit varying specification requirements. All products are finished in chrome 3 and feature impact resistant valve caps, providing the highest quality at competitive prices. Drain off option also available on most products.



General Specification



CERTIFICATION

Produced under a quality management system - ISO 9001:2008.
Pressure tested in accordance with BS 2767.



GUARANTEE

2 year guarantee from date of purchase against manufacturing defects.



COLOUR

Finished in chrome.



CONNECTIONS

Compression and pushfit.



OPERATING PRESSURES

Operating pressure 10 bar (compression) and 3 bar (pushfit).



OPERATING TEMPERATURE

Operating temperature 120°C (compression) and 92°C (pushfit).

MATCHMATE compression

| Description | Colour (Top) | Order Code | RRP |
|--|--------------|-------------|--------|
| Myson Matchmate 1/2" Olive Lockshield Angle Chrome Drain Off | White | MATE1/2LACD | €15.80 |
| 1/2" Myson Matchmate Angled Valve WH. | White | MM1/2WAN | €11.70 |
| 1/2" Myson Matchmate Angled Valve LS. | White | MM1/2LAN | €11.70 |
| 1/2" Myson Matchmate Straight Valve WH. | White | MM1/2WSN | €5.60 |
| 1/2" Myson Matchmate Straight Valve LS. | White | MM1/2LSN | €21.80 |
| MYSON Matchmate Wheelhead Valve Top Only. | White | MMTOPWH | €1.20 |
| MYSON Matchmate Lockshield Valve Top Only. | White | MMTOPLS | €1.20 |

MATCHMASTER

MATCHMASTER is a high-quality range of chrome finish heating valves, making them ideal for when a more robust specification is required. The valve uses a graphite gland packing which can be easily compressed by tightening the gland nut to ensure many years of trouble-free operation. There is a wide choice of compression and pushfit connections, as well as drain off options. Straight and angled options are also available upon request.



General specification



CERTIFICATION

Produced under a quality management system - ISO 9001:2008.
Conforms to BS 2767-10.



GUARANTEE

2 year guarantee from date of purchase against manufacturing defects.



COLOUR

Finished in chrome.



CONNECTIONS

Compression and pushfit.



OPERATING PRESSURES

Operating pressure 10 bar (compression) and 3 bar (pushfit).



OPERATING TEMPERATURE

Operating temperature 120°C (compression) and 92°C (pushfit).

MATCHMASTER compression

| Description | Colour (Top) | Order Code | RRP |
|--|--------------|------------|--------|
| 1/2" Myson Matchmaster Angled Valve WH | White | MR1/2WAC | €22.30 |
| 1/2" Myson Matchmaster Angled Valve LS | White | MR1/2LAC | €22.30 |
| 1/2" Myson Matchmaster Straight Valve WH | White | MR1/2WSC | €30.10 |
| 1/2" Myson Matchmaster Straight Valve LS | White | MR1/2LSC | €30.10 |
| 15MM Myson Matchmaster Angled Valve WH | White | MR15WAC | €20.20 |
| 15MM Myson Matchmaster Angled Valve LS | White | MR15LAC | €20.20 |

*Technical information available upon request. Contact sales@uel.ie

*All prices include VAT

General Specification

FULLFLOW

FULLFLOW radiator valves are designed and manufactured to meet the requirements of commercial installations. They feature a non-rising spindle, double EPDM 'O' ring gland seals with an additional 'O' ring back seating arrangement, this enables the FULLFLOW valve to be serviced without the requirement for draining the system, perfect for commercial applications. The range includes compression and screwed iron connections. Straight and angle versions are also available. Product is only available in polished chrome.



CERTIFICATION

Produced under a quality management system - ISO 9001:2008. Conforms to BS 2767-10.



GUARANTEE

2 year guarantee from date of purchase against manufacturing defects.



COLOUR

Finished in polished chrome.



CONNECTIONS

Compression and screwed iron.



OPERATING PRESSURES

Operating pressure 10 bar.



OPERATING TEMPERATURE

Operating temperature 120°C.

FULLFLOW

| Description | Colour (Top) | Order Code | RRP |
|--------------------------------------|--------------|------------|--------|
| ½" Myson Full Flow Anged Valve WH | White | FF1/2WAC | €39.60 |
| ½" Myson Full Flow Angled Valve LS | White | FF1/2LAC | €39.60 |
| ½" Myson Full Flow Straight Valve WH | White | FF1/2WSC | €46.10 |
| ½" Myson Full Flow Straight Valve LS | White | FF1/2LSC | €46.10 |
| ¾" Myson Full Flow Angled Valve WH | White | FF3/4WAC | €53.00 |
| ¾" Myson Full Flow Angled Valve LS | White | FF3/4LAC | €53.00 |
| ¾" Myson Full Flow Straight Valve WH | White | FF3/4WSC | €46.10 |
| ¾" Myson Full Flow Straight Valve LS | White | FF3/4LSC | €46.10 |
| Myson Full Flow WH Cover | White | FFTOWPH | €1.20 |
| Myson Full Flow LS Cover | White | FFTOPLS | €1.20 |

General Specification

TRV2

The MYSON TRV2 is the most complete thermostatic radiator valve range available for today's central heating systems. The MYSON TRV2 simplifies installation and removes the worry of costly call-backs. It has a liquid sensor fitted at its heart, guaranteeing years of accurate temperature control. It is available with a chrome finish, compression and push fit connections as well as straight and angled variants.



CERTIFICATION

Produced under a quality management system - ISO 9001:2008. Conforms to BS 2767-10 and complies to EN 215.



GUARANTEE

2 year guarantee from date of purchase against manufacturing defects.



COLOUR

Finished in chrome.



CONNECTIONS

Compression and pushfit.



OPERATING PRESSURES

Operating pressure 10 bar (compression) and 3 bar (pushfit).



OPERATING TEMPERATURE

Operating temperature 120°C (compression) and 92°C (pushfit).

TRV2 compression

| Description | Colour (Top) | Order Code | RRP |
|---|--------------|------------|--------|
| Myson TRV2 ½" Olive TRV Angle Chrome | White | TRV21/2AC | €34.70 |
| Myson TRV2 ½" Olive TRV Straight Chrome | White | 2TRV1/2SN | €45.20 |
| ½" Myson Angled GB TRV Valve only | White | 2TRV1/2AN | €33.20 |
| ¾" Myson Angled GB TRV Valve only | White | 2TRV3/4AN | €48.70 |

TRV2 pack compression & BSP

| | | | |
|---|-------|--------------|--------|
| Myson Rad-Pack ½" BSP TRV2 & Matchmaker L/S | White | TRV2PAK1/2AC | €50.70 |
|---|-------|--------------|--------|

TRV2 Accessories

| | | | |
|---|--|-----------------|---------|
| ½" Myson Angled Olive Body only CP | | TRV1/2ACBODY | €33.20 |
| Myson RV 15mm or ½" BSP TRV Straight Chrome Body only | | TRV2151/2SCBODY | €79.10 |
| Myson Standard TRV Head only (1-Ctn) | | 2TRVHEADN | €25.50 |
| Myson Remote Sensor Head 5mtr Capillary | | 2TRVRSHEAD5 | €103.50 |
| Myson Remote Sensor Head 2mtr Capillary | | 2TRVRSHEAD2 | €82.80 |
| Myson Remote Adjuster 2mtr Capillary | | 2TRVADJHEAD2 | €113.30 |
| Myson TRV Adaptor | | 2TRVADAP | €14.80 |
| Myson TRV2 15mm TRV Angle Chrome Pushfit | | TRV2151 | €25.50 |









PETITE

The MYSON PETITE Thermostatic Radiator Valve is a beautifully designed TRV for today's heating systems. The PETITE combines attractive design with total reliability. It has a liquid sensor fitted at its heart, guaranteeing years of accurate temperature control. The PETITE is available as a single valve or a convenient 'TRV & manual' valve pack, in either 10mm or 15mm sizes with a chrome finish. The range includes compression and pushfit connections, with straight and angle options available.



General Specification

-  **CERTIFICATION**
Produced under a quality management system -ISO 9001:2008 and complies to EN 215.
-  **GUARANTEE**
2 year guarantee from date of purchase against manufacturing defects.
-  **COLOUR**
Finished in chrome.
-  **CONNECTIONS**
Compression and pushfit.
-  **OPERATING PRESSURES**
Operating pressure 10 bar (compression) and 3 bar (pushfit).
-  **OPERATING TEMPERATURE**
Operating temperature 120°C (compression) and 92°C (pushfit).

PETITE compression

| Description | Colour (Top) | Order Code | RRP |
|-------------------------------------|--------------|-------------|--------|
| ½" Myson Petite TRV Pack (new type) | White | PETPAK1/2AC | €26.30 |
| ½" Myson Petite TRV Pack (old type) | White | PETPAK1/2N | €27.60 |



MOTORISED VALVES & ACCESSORIES


Motorised valves control the flow of water between heating and hot water zones in domestic fully pumped central heating systems.



The MYSON range of motorised valves has been designed with complete reliability and compatibility in mind. Our motorised valves are compatible as replacements to all leading makes, so you don't need to look anywhere else.

The range has low contact resistance switching for compatibility with the low voltage/low current switching found on many boilers throughout the UK and Europe.

General specification

-  **GUARANTEE**
2 year guarantee from date of purchase against manufacturing defects.

Motorised valves

| Description | Order Code | RRP |
|--|------------|---------|
| Two Port Motorised Zone Valve 1" Imperial Olive Compression | MPE2281R | €172.20 |
| Two Port Motorised Zone Valve ¾" Imperial Olive Compression | MPE2221R | €137.10 |
| Three Port Motorised Divertor Valve - 22mm | MPE322DV | €142.70 |
| Three Port Motorised Zone Valve ¾" Imperial Olive Compression | MPE3281R | €194.30 |
| Three Port Motorised Zone Mid Position Valve 1" Imperial Olive Compression | MPE33/4 | €216.20 |
| Three Port Motorised Zone Mid Position Valve ¾" Imperial Olive Compression | MPE31 | €216.20 |

*Technical information available upon request. Contact sales@uel.ie

*All prices include VAT

ELECTRIC HEATING

RIO PLUS



RIO PLUS

The RIO PLUS Range is a modern electric panel radiator with unique and energy saving features built in to the electronics. It is available in three models RIO COMPACT PLUS, RIO PLAN PLUS and RIO LINEA PLUS, all models offer superb temperature controllability via a clear visual digital display discreetly housed on the side panel. All models are fully programmable, with several operating modes including; open window function, frost protection and an adjustable surface temperature which creates a comfortable, radiant warmth. RIO PLUS radiators can now be controlled via an app as well as via voice control linked to any of the well-known home automation systems on the market.



RIO COMPACT PLUS



RIO COMPACT PLUS



RIO PLAN PLUS

RIO LINEA PLUS

RIO PLAN PLUS

The sleek flat front panel design of the RIO PLAN PLUS offers a contemporary alternative to the traditional RIO COMPACT PLUS radiator.

RIO LINEA PLUS

The RIO LINEA PLUS model takes this modern styling one step further with a decorative, rather than flat, front panel.

RIO PLUS RANGE

General specification & technical information

- CERTIFICATION**
Produced under a quality management system - ISO 9001:2015, environmental management system - ISO 14001:2015 and Occupational health and safety management system - ISO 45001:2018. Carries the CE and UKCA mark and conforms to the Low Voltage Directive 2014/35/EU and the EMC Directive 2014/30/EU.
- GUARANTEE**
2 year guarantee from date of purchase against manufacturing defects.
- COLOUR**
Finished in white (RAL 9016).
- MATERIAL**
Manufactured from steel and filled with environmentally friendly vegetable oil.
- ACCESSORIES**
TOUCH4 - 4 zone touch screen programmer. Details available upon request

SEALED ELECTRIC

IP RATING
IP44.

WASTE DISPOSAL
According to The WEEE Directive (2012/19/EU). Please see page 255.

ECO DESIGN DIRECTIVE
Conforms to the standards (EU) 2015/1188.



RIO PLAN PLUS



RIO LINEA PLUS

Technical characteristics

| | |
|--------------------------------|-----------------|
| Measured temperature precision | 0.1°C |
| Operating temperature | -30°C to +50°C |
| Setting temperature range | +0.5°C to +30°C |
| Electrical protection | Class 1 – IP44 |
| Power supply | 230 VAC – 50 Hz |

For more technical information, please refer to the installation instructions available on our website.

Accessories

| Product | Order Code |
|--|----------------------------|
| TOUCH4* - 4 Zone, Touch Screen Programmer (hard wired) | TOUCH4 - refer to page 248 |
| Zigbee 3.0 High End Gateway - Manage your installation remotely with a mobile application: - Adjust the temperature of each room - Create and manage one or more comfort zones - Digital display of energy consumption | UNIPLGATEWAY |
| 90° Adaptor - For side arrangement of the RIO control, suitable for RIO COMPACT PLUS, RIO PLAN PLUS and RIO LINEA PLUS (also can be used with MYSON FINESSE control). | RIOPLUS90ADAP |

*Please refer to our website for wiring diagram.



TOUCH4*



UNIPLGATEWAY



RIOPLUS90ADAP

Technical information & heat outputs

RIO COMPACT PLUS

| Order Code | Nominal Height (mm) | Nominal Length (mm) | Weight (packed - kg) | Rated Watts | RRP |
|-------------|---------------------|---------------------|----------------------|-------------|-------|
| RIOC30DX50 | 300 | 500 | 12.0 | 500 | €980 |
| RIOC30DX80 | 300 | 800 | 16.9 | 750 | €1100 |
| RIOC30DX100 | 300 | 1000 | 20.5 | 1000 | €1170 |
| RIOC30DX130 | 300 | 1300 | 26.5 | 1250 | €1240 |
| RIOC30DX160 | 300 | 1600 | 31.5 | 1500 | €1310 |
| RIOC30DX200 | 300 | 2000 | 38.5 | 2000 | €1380 |
| RIOC50DX40 | 500 | 400 | 14.6 | 500 | €980 |
| RIOC50DX50 | 500 | 500 | 17.0 | 750 | €1075 |
| RIOC50DX65 | 500 | 650 | 21.5 | 1000 | €1155 |
| RIOC50DX80 | 500 | 800 | 24.6 | 1250 | €1275 |
| RIOC50DX95 | 500 | 950 | 31.0 | 1500 | €1420 |
| RIOC50DX125 | 500 | 1250 | 38.6 | 2000 | €1560 |

RIO PLAN PLUS

| | | | | | |
|-------------|-----|------|------|------|-------|
| RIOP30DX50 | 300 | 500 | 13.3 | 500 | €1160 |
| RIOP30DX80 | 300 | 800 | 18.9 | 750 | €1350 |
| RIOP30DX100 | 300 | 1000 | 23.0 | 1000 | €1420 |
| RIOP30DX130 | 300 | 1300 | 29.8 | 1250 | €1515 |
| RIOP30DX160 | 300 | 1600 | 35.6 | 1500 | €1610 |
| RIOP30DX200 | 300 | 2000 | 43.6 | 2000 | €1690 |
| RIOP50DX40 | 500 | 400 | 16.3 | 500 | €1170 |
| RIOP50DX50 | 500 | 500 | 19.1 | 750 | €1315 |
| RIOP50DX65 | 500 | 650 | 24.2 | 1000 | €1425 |
| RIOP50DX80 | 500 | 800 | 27.9 | 1250 | €1570 |
| RIOP50DX95 | 500 | 950 | 35.0 | 1500 | €1740 |
| RIOP50DX125 | 500 | 1250 | 43.8 | 2000 | €1915 |

RIO LINEA PLUS

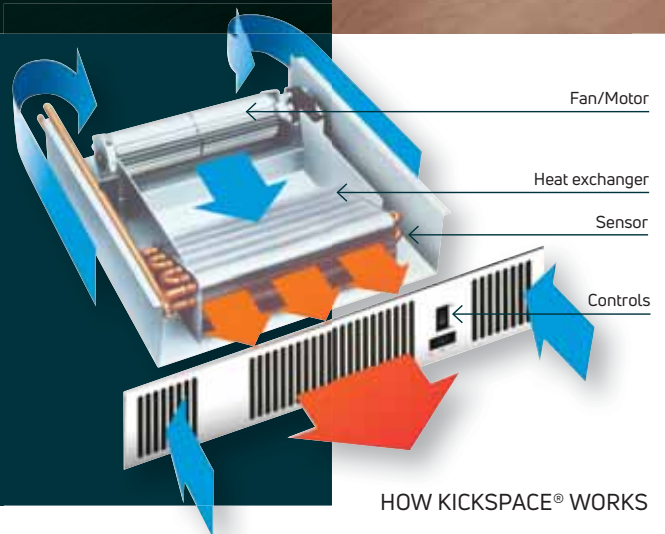
| | | | | | |
|-------------|-----|------|------|------|-------|
| RIOL30DX50 | 300 | 500 | 13.3 | 500 | €1160 |
| RIOL30DX80 | 300 | 800 | 18.9 | 750 | €1350 |
| RIOL30DX100 | 300 | 1000 | 23.0 | 1000 | €1420 |
| RIOL30DX130 | 300 | 1300 | 29.8 | 1250 | €1515 |
| RIOL30DX160 | 300 | 1600 | 35.6 | 1500 | €1610 |
| RIOL30DX200 | 300 | 2000 | 43.6 | 2000 | €1690 |
| RIOL50DX40 | 500 | 400 | 16.3 | 500 | €1170 |
| RIOL50DX50 | 500 | 500 | 19.1 | 750 | €1315 |
| RIOL50DX65 | 500 | 650 | 24.2 | 1000 | €1425 |
| RIOL50DX80 | 500 | 800 | 27.9 | 1250 | €1570 |
| RIOL50DX95 | 500 | 950 | 35.0 | 1500 | €1740 |
| RIOL50DX125 | 500 | 1250 | 43.8 | 2000 | €1915 |

*Orders are subject to lead times and availability

*All prices include VAT




KICKSPACE®



HOW KICKSPACE® WORKS

Clever by design, MYSON's innovative, plinth heaters provide a space saving heating solution for kitchens where vital wall space is often taken up by a traditional radiator. The discrete KICKSPACE® can be fitted easily under units allowing more interior design freedom and rapid space heating using a high surface area heat exchanger.

NEW & IMPROVED



Electric - KICKSPACE® 500E & 600E ECO

The electric KICKSPACE® is perfect for properties without a central heating system or in rooms where there is no existing pipework. Quick and easy to fit, the 500E ECO can provide a heat output up to 2kW while the 600E ECO is up to 3kW.



500E & 600E ECO

Duo - KICKSPACE® 500 DUO ECO

The KICKSPACE® 500 DUO ECO model combines the advantages of the hydronic and electric models, with the flexibility to switch between central heating and electric modes.



500 DUO ECO



Wireless Thermostat
Supplied with KICKSPACE® 500E, 600E & DUO ECO models

Hydronic - KICKSPACE® 500, 600 & 800

The most popular range of KICKSPACE® are the hydronic models that integrate directly into the existing central heating system. These three models provide heat outputs from 1kW to 2.6kW, providing warmth for any room. The fan on these models will activate with the central heating system.

Low voltage hydronic - KICKSPACE® 600-12V

This unique model means you get all the advantages of KICKSPACE® but it can be used in areas of high humidity, such as bathrooms and en-suites.



500

Hydronic - KICKSPACE® 80S & 80D

The KICKSPACE® 80S and 80D are a lower height and suitable for Ikea and European style kitchen units. They have all the features of the KICKSPACE® and come in a single and double width for extra output.



80S



80D

Hydronic models

| Dimensions | | Fan Speed | Model | | | | |
|------------|---------------------|-----------|-------|-----|-----|-----|-----|
| | | | 500 | 600 | 800 | 80S | 80D |
| Dimensions | Nominal Height (mm) | - | 101 | 101 | 101 | 80 | 80 |
| | Depth (mm) | - | 309 | 309 | 309 | 301 | 301 |
| | Length (mm) | - | 496 | 550 | 603 | 560 | 760 |

| Sound Levels* | Sound Pressure (dBA) (at 2.5m) | Fan Speed | 500 | 600 | 800 | 80S | 80D |
|---------------|--------------------------------|-----------|------|------|------|------|------|
| | | Normal | 25.7 | 26.4 | 28.5 | 24.5 | 21.8 |
| Boost | 38.1 | 37.2 | 49.8 | 31.4 | 35.6 | | |

| Weight, Water Content & Motor Power | Unit Weight (kg) | - | 4.3 | 5.0 | 5.5 | 3.83 | 5.13 |
|-------------------------------------|----------------------|---|------|------|------|------|------|
| | Water Content (l) | - | 0.26 | 0.30 | 0.34 | 0.17 | 0.25 |
| | Motor Power (W-max.) | - | 25 | 40 | 40 | 13 | 17 |

| Air Flow Rates | Air Flow (m³/h) | Normal | 70 | 106 | 139 | 68 | 87 |
|----------------|------------------|--------|------|------|------|------|------|
| | | Boost | 90 | 138 | 210 | 71 | 90 |
| | Air Flow (ft³/h) | Normal | 2471 | 3742 | 4908 | 2313 | 3192 |
| | | Boost | 3177 | 4872 | 7415 | 2511 | 3069 |

| Model | Grill Supplied | Order Code | RRP Rounded |
|---------------------------------------|----------------|------------|-------------|
| Myson Kick Space 500 with White Grill | White | 3KICK500 | €560 |
| Myson Kick Space 600 with White Grill | White | 3KICK600 | €680 |
| Myson Kick Space 800 with White Grill | White | 3KICK800 | €680 |

*Sound levels tested in accordance with EN 23741.

†Includes transformer.

**All prices include VAT





BATHROOM HEATING

Our Heating Collection provides you with a vast array of traditional, designer and ladder towel warmers in a range of styles and colours to complete your bathroom all the while providing the warmth levels essential for that cosy bath or invigorating shower.

MARIAH



DUAL COLUMN MIRROR RADIATOR

MARIAH - DUAL COLUMN MIRROR

The Mariah Dual Column Mirror radiator ultimately combines functionality with style, blending seamlessly into any modern or period interior. This strikingly stylish radiator is sure to be the focal point of your room!

| | Colour | Height (mm) | Width (mm) | BTU | Watts | Pipe Centres | RRP |
|----------|--------|-------------|------------|------|-------|--------------|------|
| DCMR418W | White | 1800 | 450 | 3252 | 953 | 540 | €485 |



VALVE RECOMMENDATION

Our valve recommendation is a 1/2" Victorian Angled Radiator Valve in Chrome.

Code RVCPV

RRP €57

See our full valve section for more options - starting on page 58.



RUA

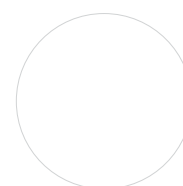


DESIGNER FLAT PANEL

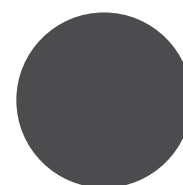
RUA - DESIGNER FLAT PANEL

The stunning designer flat panel radiators are pushing boundaries when it comes to ultra-modern design. The Rua radiator is the perfect heating solution in any room within the house including the bathroom! Pair this radiator with the Rua towel rail to ultimately transform your bathroom interior!

| | Colour | Height (mm) | Width (mm) | BTU | Watts | Pipe Centres | RRP |
|---------|------------|-------------|------------|------|-------|--------------|------|
| DFP518W | White | 1800 | 500 | 2474 | 725 | 590 | €475 |
| DFP618W | White | 1800 | 600 | 2969 | 870 | 690 | €555 |
| DFP418A | Anthracite | 1800 | 400 | 1979 | 580 | 490 | €390 |
| DFP518A | Anthracite | 1800 | 500 | 2474 | 725 | 590 | €475 |
| DFP618A | Anthracite | 1800 | 600 | 2969 | 870 | 690 | €555 |



White



Anthracite

RUA TOWEL RAIL

| | Description | Colour | RRP |
|-------|----------------------|--------|-----|
| HR500 | Rua 500mm Towel Rail | Chrome | €70 |
| HR600 | Rua 600mm Towel Rail | Chrome | €75 |
| HR700 | Rua 700mm Towel Rail | Chrome | €90 |



VALVE

RECOMMENDATION

Our valve recommendation is the 1/2" Minimalist Corner Radiator Valves in Chrome.

Code C15C RRP €78

See our full valve section for more options - starting on page 58.



SARA



VERTICAL PANEL RADIATORS

SARA VERTICAL 3 PANEL ALUMINIUM RADIATOR

The Sara vertical aluminium flat panel delivers functionality, clean lines and a smooth finish making it a stylish radiator that doubles as a towel warmer when paired with the Sara Towel Rail.

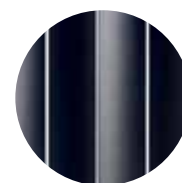
| | Colour | Height (mm) | Width (mm) | BTU | Watts | Pipe Centres | RRP |
|---------|------------|-------------|------------|------|-------|--------------|------|
| VFP218W | White | 1800 | 280 | 2475 | 725 | 370 | €365 |
| VFP218A | Anthracite | 1800 | 280 | 2475 | 725 | 370 | €375 |



White

SARA VERTICAL 4 PANEL ALUMINIUM RADIATOR

| | Colour | Height (mm) | Width (mm) | BTU | Watts | Pipe Centres | RRP |
|---------|------------|-------------|------------|------|-------|--------------|------|
| VFP318W | White | 1800 | 375 | 3300 | 967 | 465 | €450 |
| VFP318A | Anthracite | 1800 | 375 | 3300 | 967 | 465 | €460 |



Anthracite

SARA TOWEL RAIL

| | Description | Colour | RRP |
|-------|----------------------------------|--------|-----|
| HB415 | Sara 4 Panel Radiator Towel Rail | Chrome | €95 |
| HB320 | Sara 3 Panel Radiator Towel Rail | Chrome | €65 |



VALVE RECOMMENDATION

Our valve recommendation is the 1/2" Minimalist Corner Radiator Valves in Chrome.

Code C15C RRP €78

See our full valve section for more options - starting on page 58



TOWEL WARMERS



DESIGNER RADIATORS TO SUIT YOUR HOME

TOWEL WARMERS



TWA

€510

Adare Traditional Towel Warmer
 Chrome & White
 H: 963mm W: 493mm
 Output: 2215 BTU/hr
 Pipe Centre: 275mm
 Watts: 649



TWE

€800

Avoca Traditional Towel Warmer
 Chrome & White
 H: 1130mm W: 553mm
 Output: 3275 BTU/hr
 Pipe Centre: 335mm
 Watts: 960



TWHTW

€740

Branwell Wall Hung Towel Warmer
 Chrome & White
 H: 1000mm W: 630mm
 Output: 3780 BTU/hr
 Pipe Centers: 525mm
 Watts: 1108



TWW

€595

Cashel Traditional Towel Warmer
 Chrome & White
 H: 963mm W: 675mm
 Output: 3520 BTU/hr
 Pipe Centre: 460mm
 Watts: 1032



TWWBN

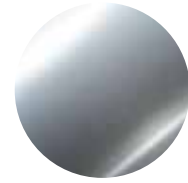
€645

Cashel Traditional Towel Warmer
 Black Nickel
 H: 963 mm W: 673mm
 Output: 3410 BTU/hr
 Pipe Centre: 445mm
 Watts: 999

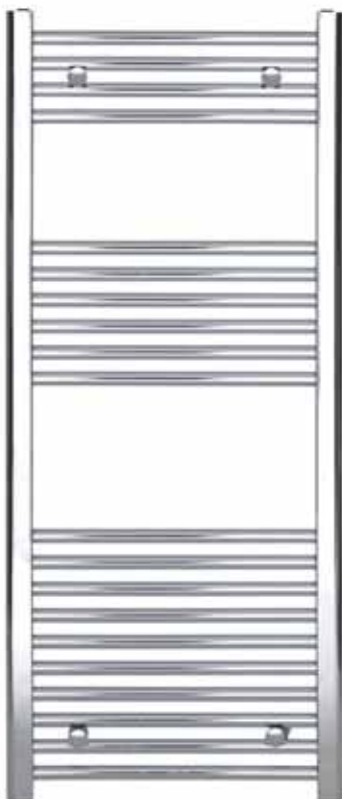
*All Prices Include VAT

STRAIGHT LADDER TOWEL WARMER

| | Colour | Height (mm) | Width (mm) | BTU | Watts | Pipe Centres | RRP |
|--------|--------|-------------|------------|------|-------|--------------|------|
| TW312S | Chrome | 1200 | 300 | 1098 | 322 | 250 | €160 |
| TW316S | Chrome | 1600 | 300 | 1452 | 426 | 250 | €190 |
| TW48S | Chrome | 800 | 400 | 870 | 255 | 350 | €150 |
| TW410S | Chrome | 1000 | 400 | 1037 | 304 | 350 | €160 |
| TW412S | Chrome | 1200 | 400 | 1262 | 370 | 350 | €180 |
| TW416S | Chrome | 1600 | 400 | 1668 | 489 | 350 | €215 |
| TW58S | Chrome | 800 | 500 | 1030 | 302 | 450 | €150 |
| TW512S | Chrome | 1200 | 500 | 1488 | 436 | 450 | €170 |
| TW516S | Chrome | 1600 | 500 | 1965 | 576 | 450 | €215 |
| TW518S | Chrome | 1800 | 500 | 2259 | 662 | 450 | €260 |
| TW68S | Chrome | 800 | 600 | 1194 | 350 | 550 | €160 |
| TW612S | Chrome | 1200 | 600 | 1726 | 506 | 550 | €200 |
| TW616S | Chrome | 1600 | 600 | 2279 | 668 | 550 | €225 |
| TW618S | Chrome | 1800 | 600 | 2620 | 768 | 550 | €290 |



Chrome



VALVE RECOMMENDATION

Our valve recommendation is a 1/2" Minimalist Angled Radiator Valve in Chrome.

Code RVCPM RRP€44

See our full valve section for more options - starting on page 58.





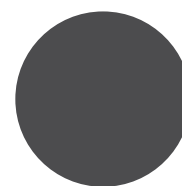


CURVED LADDER TOWEL WARMER

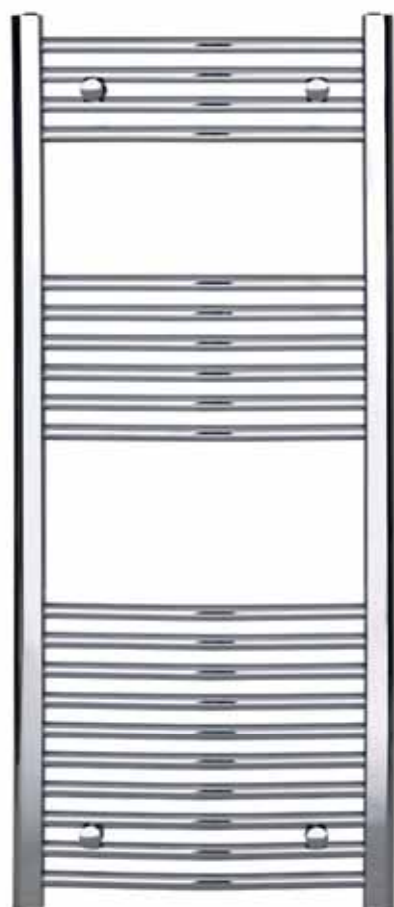
| | Colour | Height (mm) | Width (mm) | BTU | Watts | Pipe Centres | RRP |
|---------|------------|-------------|------------|------|-------|--------------|------|
| TW512C | Chrome | 1200 | 500 | 1488 | 436 | 450 | €180 |
| TW518C | Chrome | 1800 | 500 | 2259 | 662 | 450 | €260 |
| TW68C | Chrome | 800 | 600 | 1194 | 350 | 550 | €160 |
| TW612C | Chrome | 1200 | 600 | 1726 | 506 | 550 | €200 |
| TW618C | Chrome | 1800 | 600 | 2620 | 768 | 550 | €290 |
| TW57C | Anthracite | 700 | 500 | 1143 | 335 | 450 | €140 |
| TW5115C | Anthracite | 1150 | 500 | 1855 | 544 | 450 | €190 |



Chrome



Anthracite



VALVE RECOMMENDATION

Our valve recommendation is a 1/2" Minimalist Angled Radiator Valve in Chrome.

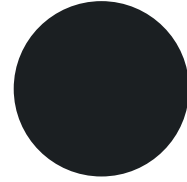
Code RVCPM RRP €44

See our full valve section for more options - starting on page 58.



ROUND LADDER TOWEL WARMER

| | Colour | Height (mm) | Width (mm) | BTU | Watts | Pipe Centres | RRP |
|----------|--------------|-------------|------------|------|-------|--------------|------|
| TW58SBN | Black Nickel | 800 | 500 | 1030 | 302 | 450 | €190 |
| TW512SBN | Black Nickel | 1200 | 500 | 1488 | 436 | 450 | €260 |



Black Nickel



VALVE RECOMMENDATION

Our valve recommendation is a 1/2" Minimalist Straight Radiator Valves Black Nickel.

Code HP15SBN RRP €78

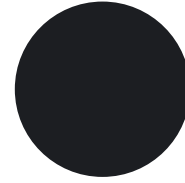
See our full valve section for more options - starting on page 58.



*All Prices Include VAT

SQUARE LADDER TOWEL WARMER

| | Colour | Height (mm) | Width (mm) | BTU | Watts | Pipe Centres | RRP |
|-----------|--------------|-------------|------------|------|-------|--------------|------|
| TW58SQBN | Black Nickel | 800 | 500 | 918 | 269 | 460 | €345 |
| TW512SQBN | Black Nickel | 1200 | 500 | 1493 | 438 | 460 | €500 |
| TW58SQCP | Chrome | 800 | 500 | 918 | 269 | 460 | €250 |
| TW512SQCP | Chrome | 1200 | 500 | 1493 | 438 | 460 | €370 |



Black Nickel



Chrome



VALVES



A CAREFULLY SELECTED RANGE OF VALVES TO
GET THE FINISH OF YOUR CHOICE



VGTRVP €18

1/2" Valogin Thermostatic Radiator Valve & Lock-Shield Pack



BTRVP €17

1/2" Bi-World Thermostatic Radiator Valve & Lock-Shield Pack



BTRVPGB €32

1/2" Bi-World GB Female Thermostatic Radiator Valve & Lock-Shield Pack



PTRVPACK €33

1/2" Pegler Terrier Thermostatic Radiator Valve & Lock-Shield Pack



RVTS €63

1/2" Pegler Terrier Straight Thermostatic Radiator Valve & Lock-Shield Pack



632329 €112

1/2" Pegler Angled Thermostatic Radiator Valve & Lock-Shield Pack Chrome



RVTTSCP €150

1/2" Pegler Straight Thermostatic Radiator Valve & Lock Shield Pack Chrome



BTRVPAS €32

Bi-World Straight Thermostatic Radiator Valve & Lock-Shield Pack



BTRVPACS €40

Bi-World Straight Thermostatic Radiator Valve & Lock-Shield Pack Chrome



BTRVPAC €32

Bi-World Angled Thermostatic Radiator Valve & Lock-Shield Pack Chrome



RVCP €16

1/2" Contract Angled Chrome Radiator Valves (Pair)



RVSCP €18

1/2" Contract Straight Chrome Radiator Valves (Pair)



RVCPM €44

1/2" Minimalist Angled Radiator Valves Chrome (Pair)



RVSCPM €42

1/2" Minimalist Straight Chrome Radiator Valves (Pair)



BMRVA €45

1/2" Modern Angled Radiator Valves Chrome (Pair)



RVCPV €57

1/2" Victorian Angled Radiator Valves Chrome (Pair)



HP15AB €78
1/2" Minimalist Angled Radiator Valves Antique Brass



HP15AC €78
1/2" Minimalist Angled Radiator Valves Antique Copper



HP15BN €78
1/2" Minimalist Angled Radiator Valves Black Nickel



HP15SN €78
1/2" Minimalist Angled Radiator Valves Silver Nickel



HP15SAB €78
1/2" Minimalist Straight Radiator Valves Antique Brass



HP15SAC €78
1/2" Minimalist Straight Radiator Valves Antique Copper



HP15SBN €78
1/2" Minimalist Straight Radiator Valves Black Nickel



HP15SSN €78
1/2" Minimalist Straight Radiator Valves Silver Nickel



C15AB €78
1/2" Minimalist Corner Radiator Valves Antique Brass



C15AC €78
1/2" Minimalist Corner Radiator Valves Antique Copper



C15BN €78
1/2" Minimalist Corner Radiator Valves Black Nickel



C15SN €78
1/2" Minimalist Corner Radiator Valves Silver Nickel



C15C €78
1/2" Minimalist Corner Radiator Valves Chrome



EG251AJ €44
Round Angled Radiator Valves Anthracite



EG251A €50
Round Straight Radiator Valves Anthracite



EG427AJ €50
Square Angled Radiator Valves Anthracite



EG427A €60
Square Angled Radiator Valves Anthracite



EG427J €50
Square Angled Radiator Valves Chrome



EG427AJ €50
Square Angled Radiator Valves Chrome



EG251J €44
Round Angled Radiator Valves Chrome



EV-B15AB €90

1/2" Bentley Thermostatic Radiator Valve & Lock-Shield Pack Antique Brass



EV-B15AC €90

1/2" Bentley Thermostatic Radiator Valve & Lock-Shield Pack Antique Copper



EV-B15BN €90

1/2" Bentley Thermostatic Radiator Valve & Lock-Shield Pack Black Nickel



EV-B15C €90

1/2" Bentley Thermostatic Radiator Valve & Lock-Shield Pack Chrome



EV-B15SN €90

1/2" Bentley Thermostatic Radiator Valve Lock-Shield Pack Silver Nickel



EV-BG15AB €98

1/2" Bentley Gothic Thermostatic Radiator Valve & Lock-Shield Pack Antique Brass



EV-BG15AC €98

1/2" Bentley Gothic Thermostatic Radiator Valve & Lock-Shield Pack Antique Copper



EV-BG15SN €98

1/2" Bentley Gothic Thermostatic Radiator Valve & Lock-Shield Pack Silver Nickel



TRV15BN €143

Traditional Radiator Valve Black Nickel



TC16C €50

16mm x 300mm Tails & Decorative Covers Chrome



TC16SN €50

16mm x 300mm Tails & Decorative Covers Silver Nickel



TC16BN €50

16mm x 300mm Tails & Decorative Covers Black Nickel



TC16SN €50

16mm x 300mm Tails & Decorative Covers Silver Nickel



TC16AC €50

16mm x 300mm Tails & Decorative Covers Antique Copper



TC16AB €50

16mm x 300mm Tails & Decorative Covers Antique Brass



Smart Heating Hub

Compatible with Smart Phone App



APP Control



RF Thermostat



Download Available



Built in Gateway



Displays Zone



Keypad Lock



5 Day Scheduler



Wifi Ready



Boost & Advance



Holiday Mode



After Sales Support

2 ZONE
PACK

KIT CODE
SMART182



Smart Heating Hub with Built in Gateway
1x Wireless Room Stat
1x Wireless Cylinder Stat
2x 3/4" Orkli 2 Port Motorised Valve

PRICE
€555

3 ZONE
PACK

KIT CODE
SMART183

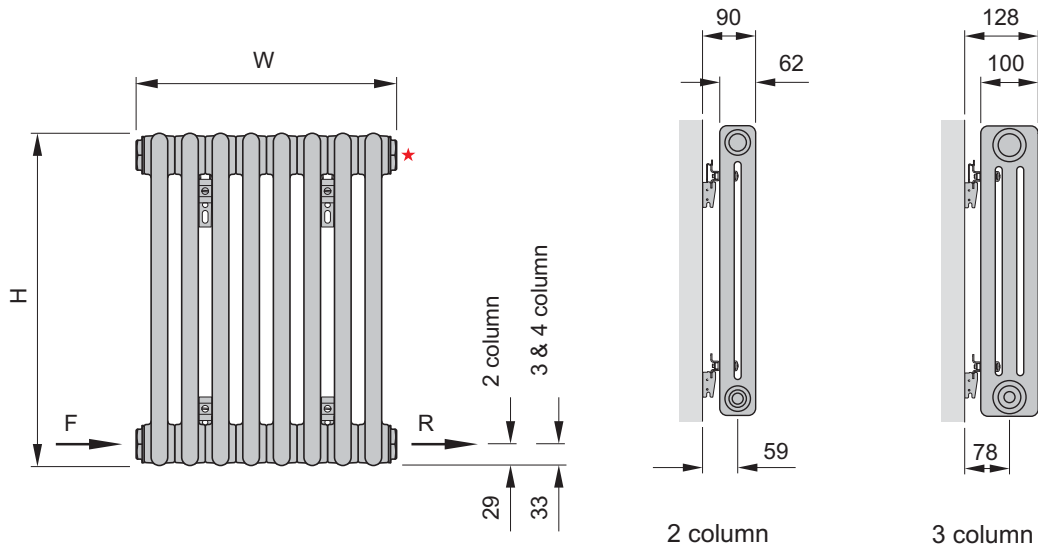


Smart Heating Hub with Built in Gateway
2x Wireless Room Stat
1x Wireless Cylinder Stat
3x 3/4" Orkli 2 Port Motorised Valve

PRICE
€700

TECHNICAL
SPECIFICATIONS

REVIVE

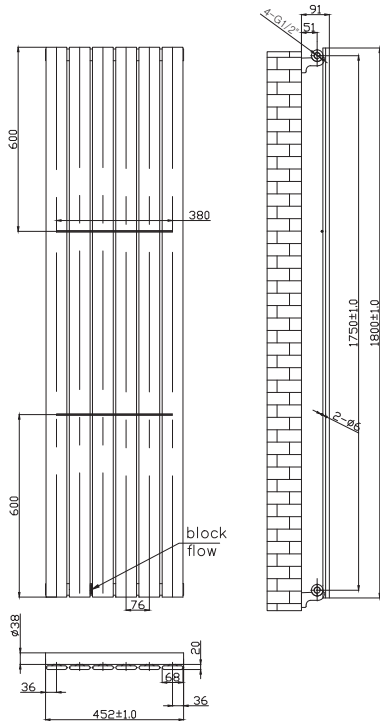


| | Height (mm) | Width (mm) | BTU | Watts | Pipe Centres |
|-------------|-------------|------------|------|-------|--------------|
| U2150-8 | 1500 | 398 | 2839 | 832 | 488 |
| U2180-8 | 1800 | 398 | 3385 | 992 | 488 |
| U2180-10 | 1800 | 490 | 4231 | 1240 | 580 |
| U2200-8 | 2000 | 398 | 3767 | 1104 | 488 |
| U2200-10 | 2000 | 490 | 4709 | 1380 | 580 |
| U2180-10-RM | 1800 | 490 | 4231 | 1240 | 580 |
| U2200-10-RM | 2000 | 490 | 4709 | 1380 | 580 |
| U2180-10-BK | 1800 | 490 | 4231 | 1240 | 580 |
| U2200-10-BK | 2000 | 490 | 4709 | 1380 | 580 |
| U3180-10 | 1800 | 490 | 5664 | 1660 | 580 |
| U3180-10-RM | 1800 | 490 | 5664 | 1660 | 580 |
| U3200-10 | 2000 | 490 | 6244 | 1830 | 580 |
| U3200-10-RM | 2000 | 490 | 6244 | 1830 | 580 |
| U3030-19 | 300 | 904 | 2074 | 608 | 994 |
| U3030-25 | 300 | 1180 | 2730 | 800 | 1270 |
| U3030-32 | 300 | 1502 | 3494 | 1024 | 1592 |
| U3030-36 | 300 | 1686 | 3931 | 1152 | 1776 |
| U3030-19-RM | 300 | 904 | 2074 | 608 | 994 |
| U3030-25-RM | 300 | 1180 | 2730 | 800 | 1270 |
| U3030-32-RM | 300 | 1502 | 3494 | 1024 | 1592 |
| U3030-36-RM | 300 | 1686 | 3931 | 1152 | 1776 |
| U3045-19 | 450 | 904 | 3034 | 889 | 994 |
| U3045-25 | 450 | 1180 | 3992 | 1170 | 1270 |

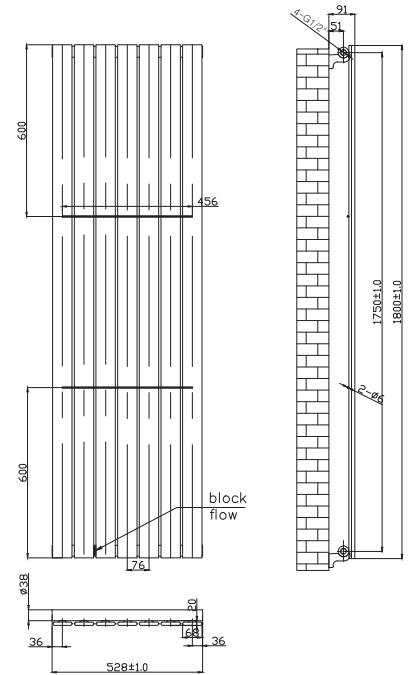
| | Height (mm) | Width (mm) | BTU | Watts | Pipe Centres |
|-------------|-------------|------------|------|-------|--------------|
| U3045-32 | 450 | 1502 | 5110 | 1498 | 1592 |
| U3045-36 | 450 | 1686 | 5749 | 1685 | 1776 |
| U3045-19-RM | 450 | 904 | 3034 | 889 | 994 |
| U3045-25-RM | 450 | 1180 | 3992 | 1170 | 1270 |
| U3045-32-RM | 450 | 1502 | 5110 | 1498 | 1592 |
| U3045-36-RM | 450 | 1686 | 5749 | 1685 | 1776 |
| U3060-9 | 600 | 440 | 1870 | 548 | 530 |
| U3060-13 | 600 | 628 | 2701 | 792 | 718 |
| U3060-19 | 600 | 904 | 3948 | 1157 | 994 |
| U3060-25 | 600 | 1180 | 5195 | 1523 | 1270 |
| U3060-32 | 600 | 1502 | 6649 | 1949 | 1592 |
| U3060-36 | 600 | 1686 | 7480 | 2192 | 1776 |
| U3060-9-RM | 600 | 440 | 1870 | 548 | 530 |
| U3060-13-RM | 600 | 628 | 2701 | 792 | 718 |
| U3060-19-RM | 600 | 904 | 3948 | 1157 | 994 |
| U3060-25-RM | 600 | 1180 | 5195 | 1523 | 1270 |
| U3060-32-RM | 600 | 1502 | 6649 | 1949 | 1592 |
| U3060-36-RM | 600 | 1686 | 7480 | 2192 | 1776 |
| U3060-13-BK | 600 | 628 | 2701 | 792 | 718 |
| U3060-19-BK | 600 | 904 | 3948 | 1157 | 994 |
| U3060-25-BK | 600 | 1180 | 5195 | 1523 | 1270 |
| U3060-32-BK | 600 | 1502 | 6649 | 1949 | 1592 |
| U3060-36-BK | 600 | 1686 | 7480 | 2192 | 1776 |

VALERIE - SINGLE

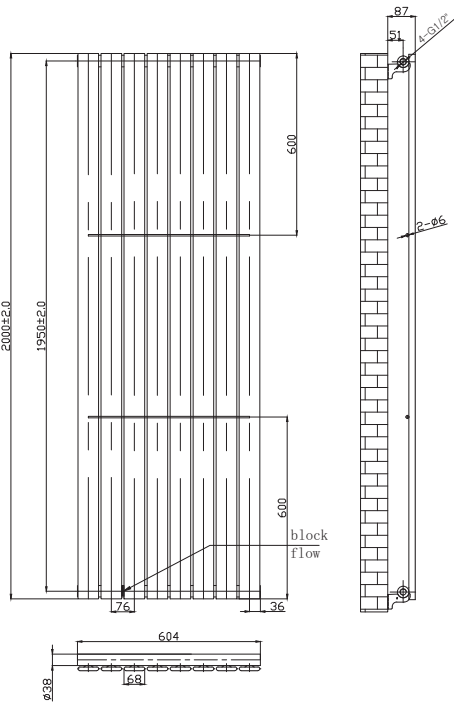
VFP418W



VFP518W



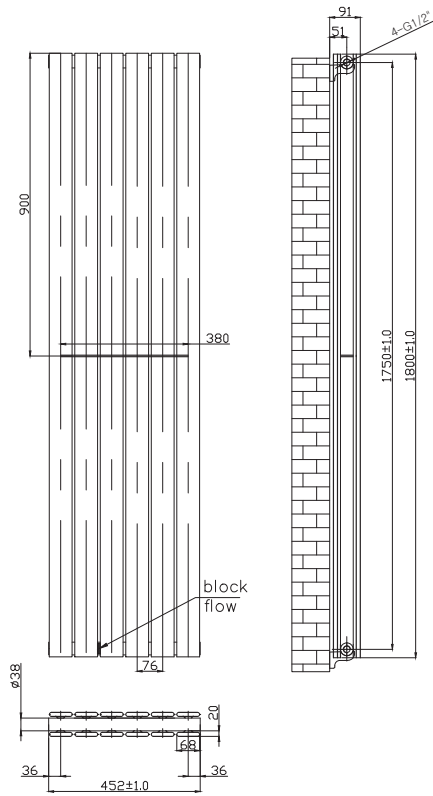
VFP620W



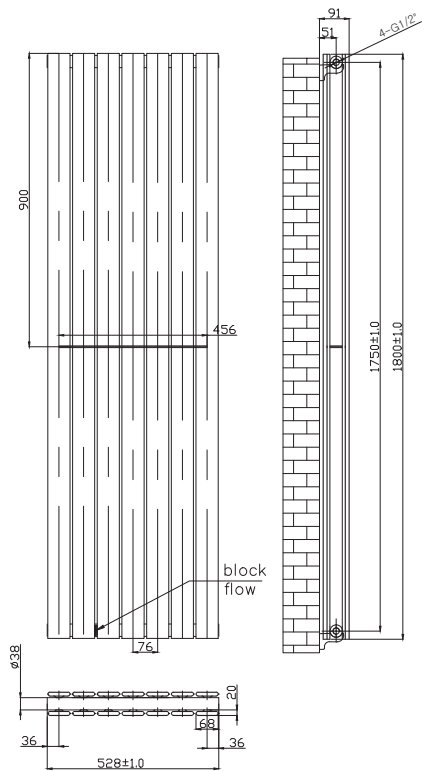
| | Height (mm) | Width (mm) | BTU | Watts | Pipe Centres |
|---------|-------------|------------|------|-------|--------------|
| VFP418W | 1800 | 450 | 3253 | 953 | 540 |
| VFP518W | 1800 | 525 | 3795 | 1112 | 615 |
| VFP620W | 2000 | 600 | 4786 | 1403 | 690 |
| VFP418A | 1800 | 450 | 3253 | 953 | 540 |
| VFP518A | 1800 | 525 | 3795 | 1112 | 615 |
| VFP620A | 2000 | 600 | 4786 | 1403 | 690 |

VALERIE - DOUBLE

VFP418WDP



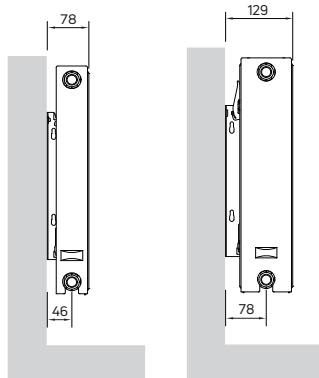
VFP518WDP



| | Height (mm) | Width (mm) | BTU | Watts | Pipe Centres |
|-----------|-------------|------------|------|-------|--------------|
| VFP418WDP | 1800 | 452 | 6304 | 1848 | 542 |
| VFP518WDP | 1800 | 525 | 7354 | 2155 | 615 |
| VFP620WDP | 2000 | 600 | 8764 | 2569 | 690 |
| VFP418ADP | 1800 | 452 | 6304 | 1848 | 542 |
| VFP518ADP | 1800 | 525 | 7354 | 2155 | 615 |
| VFP620ADP | 2000 | 600 | 8764 | 2569 | 690 |

SELECT COMPACT

Mounting positions & dimensions



Type 11

Type 22

| Nominal Height (mm) | A (mm) |
|---------------------|--------|
| 300 | 250 |
| 400 | 350 |
| 500 | 450 |
| 600 | 550 |
| 700 | 650 |

Top View

type 11



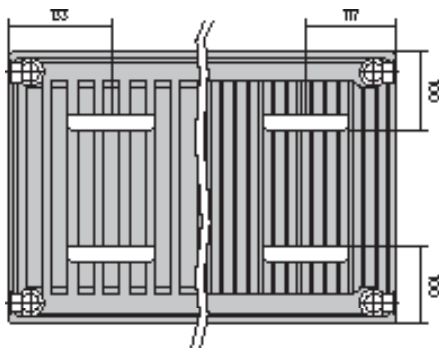
type 22



Installation

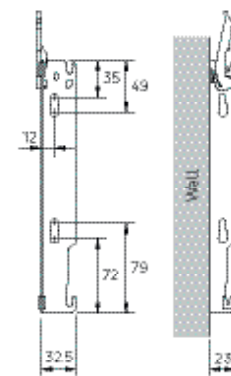
types 21S, 22, 33

type 11



Brackets

wall bracket types 11



note: the plastic security clip is not used for type 11 products.

floor bracket all types

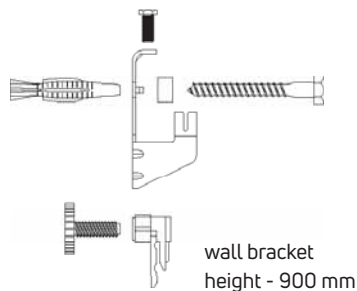
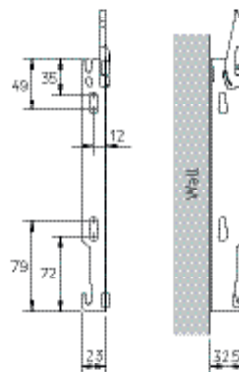


RH033

Radiator to wall distance: Any

Maximum load of a single bracket:
Vertically - 180kg
Pulling - 35kg

wall bracket types 22



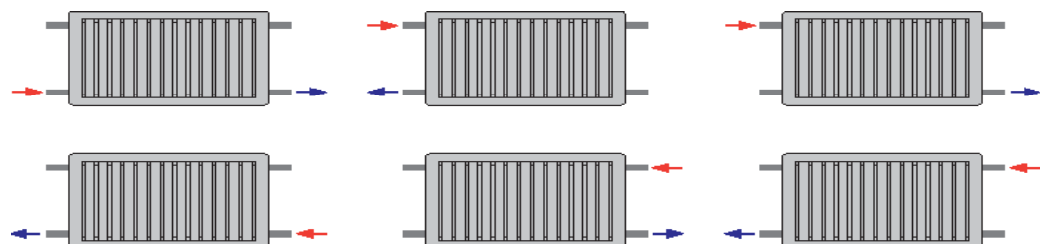
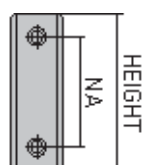
wall bracket height - 900 mm

| Height 300 - 600mm | |
|----------------------|----------------------------|
| Radiator Length (mm) | Quantity of Floor Brackets |
| 400 - 1800 | 2 |
| 2000 - 2300 | 3 |

| Height 700 - 900mm | |
|----------------------|----------------------------|
| Radiator Length (mm) | Quantity of Floor Brackets |
| 300 - 1200 | 2 |
| 1400 - 2000 | 3 |

Connection Options

NA = 50mm less than overall height



Suitable for Bottom Opposite End (BOE), Top Bottom Same End (TBSE) and Top Bottom Opposite Ends (TBOE), 4 x 1/2" BSP tappings.

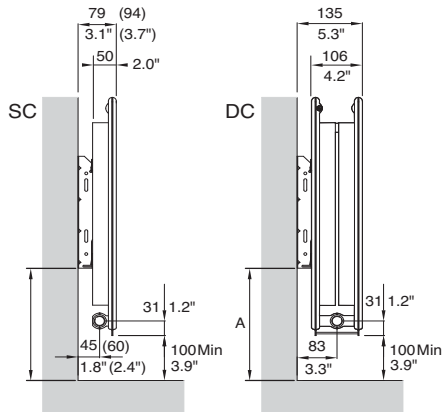
All Compact radiators:

Test Pressure 10.5 bar.

Max operating pressure 8 bar.

PREMIER HE

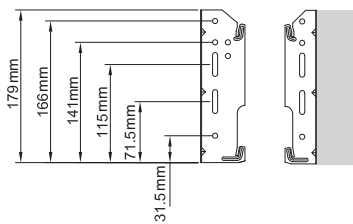
Mounting positions & dimensions



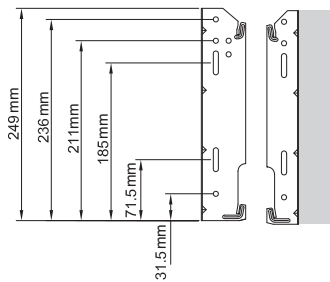
| Nominal Height (in) | A | | B | |
|---------------------|-------|------|------|------|
| | (in) | (mm) | (in) | (mm) |
| 12 | 6.65 | 170 | N/A | N/A |
| 15 | 6.93 | 177 | 13.2 | 335 |
| 21 | 9.81 | 250 | 18.7 | 475 |
| 27 | 16.10 | 410 | 25.0 | 635 |

Wall Brackets

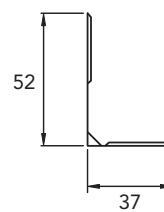
12" Wall Bracket***



15/21/27" Wall Bracket***



Bracket Plan View



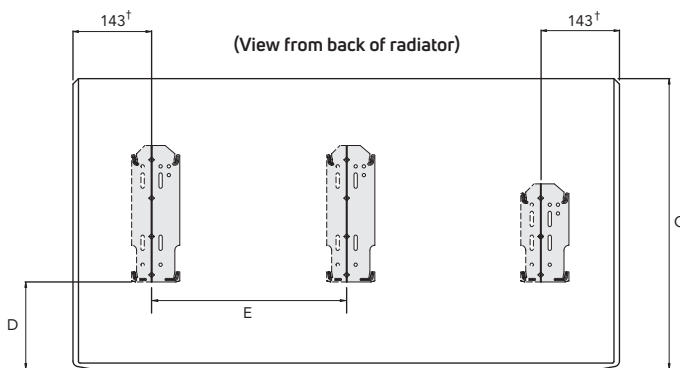
N.B. Figures in brackets apply when hanging with long leg.

Long leg suitable for hanging Type 11 (SC) radiators only.

Short leg suitable for radiator Types 11, 21 & 22.

***Security clip available on request

Bracket positions & dimensions



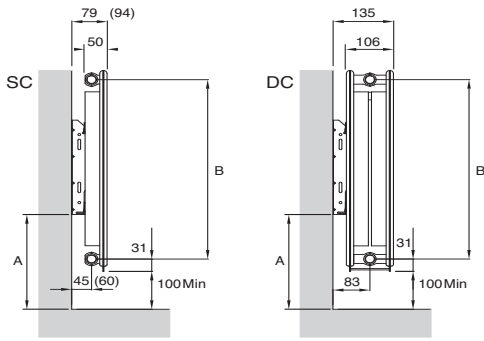
| Nominal Height (in) | C | | D | |
|---------------------|------|------|-------|------|
| | (in) | (mm) | (in) | (mm) |
| 12 | 11.8 | 300 | 2.75 | 70 |
| 15 | 15.4 | 390 | 3.03 | 77 |
| 21 | 20.9 | 530 | 5.91 | 150 |
| 27 | 27.2 | 690 | 12.20 | 310 |

| Nominal Length (in) | E | |
|---------------------|------|------|
| | (in) | (mm) |
| 77 | 34 | 864 |
| 79 | 35 | 889 |
| 85 | 38 | 965 |

N.B. Radiators up to and including 69" long have two brackets. Radiators 77" and longer have three brackets. The position of the centre bracket is given in the table.

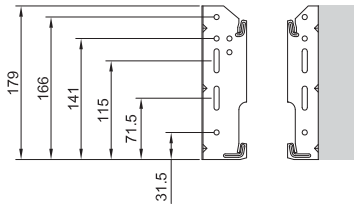
† 118mm from each end for 11" (286mm) long radiators only.

Mounting positions, dimensions & wall brackets

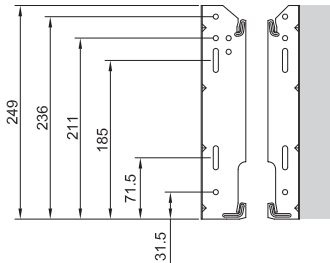


| Nominal Height (mm) | A | B |
|---------------------|------|------|
| | (mm) | (mm) |
| 300 | 170 | 243 |
| 450 | 237 | 393 |
| 600 | 320 | 543 |
| 700 | 410 | 643 |

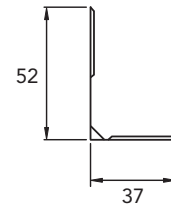
300mm Wall Bracket*



450/600/700mm Wall Bracket*



Bracket Plan View

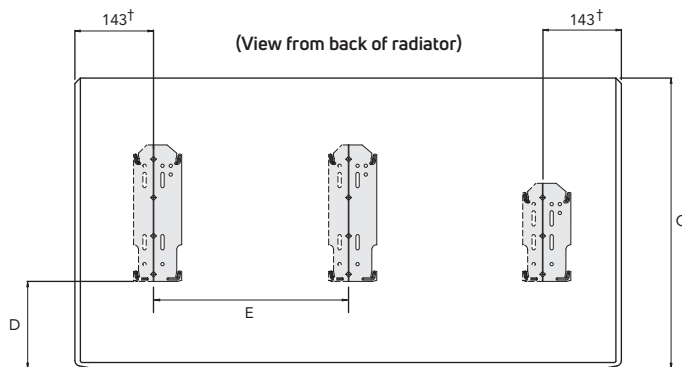


N.B. Figures in brackets apply when hanging with long leg.

Long leg suitable for hanging Type 11 (SC) radiators only. Short leg suitable for radiator Types 11, 21 & 22.

*Security clip available on request

Bracket positions & dimensions



| Nominal Height (mm) | C | D |
|---------------------|------|------|
| | (mm) | (mm) |
| 300 | 300 | 70 |
| 450 | 450 | 137 |
| 600 | 600 | 220 |
| 700 | 700 | 310 |

| Nominal Length (mm) | E |
|---------------------|------|
| | (mm) |
| 1800 | 762 |
| 2000 | 864 |
| 2200 | 965 |
| 2400 | 1067 |
| 2600 | 1168 |
| 2800 | 1270 |
| 3000 | 1372 |

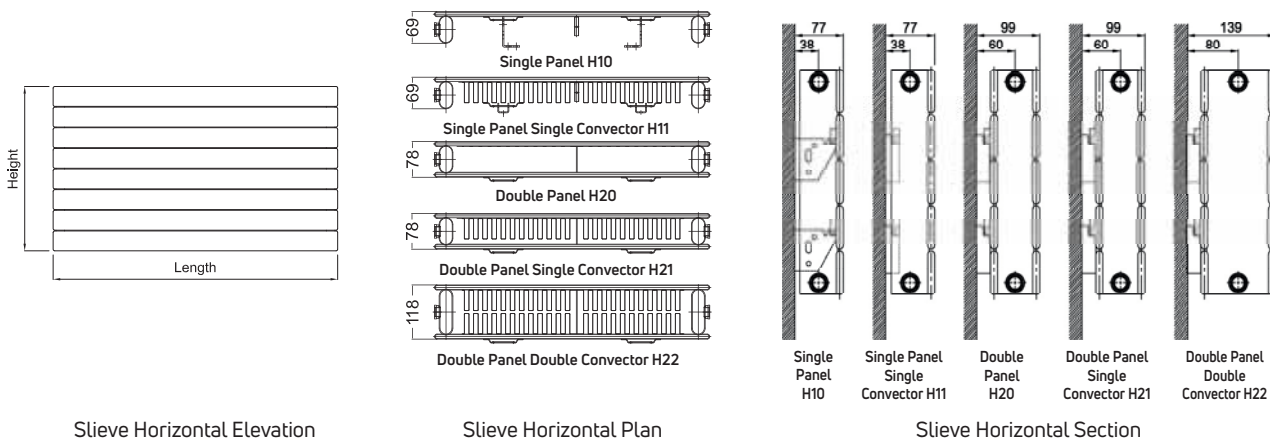
N.B. Radiators up to and including 1600mm long have two brackets. Radiators 1800mm and longer have three brackets. The position of the centre bracket is given in the table.

† 118mm from each end for 300mm long radiators only.

SLEEVE - DESIGN RANGE

Slieve Horizontal - Water Content (L/m)

| Type | Height (mm) / Fin Height (mm) | | | | |
|------|-------------------------------|-----------|-----------|-----------|-----------|
| | 288 / 288 | 433 / 360 | 505 / 433 | 578 / 505 | 723 / 650 |
| 10 | - | 4.01 | 4.8 | 5.61 | 6.84 |
| 11 | - | 4.01 | 4.8 | 5.61 | 6.84 |
| 20 | 4.67 | 6.31 | 7.80 | 9.31 | 12.04 |
| 21 | 4.67 | 6.31 | 7.80 | 9.31 | 12.04 |
| 22 | 4.90 | 7.31 | 8.50 | 9.71 | 12.21 |



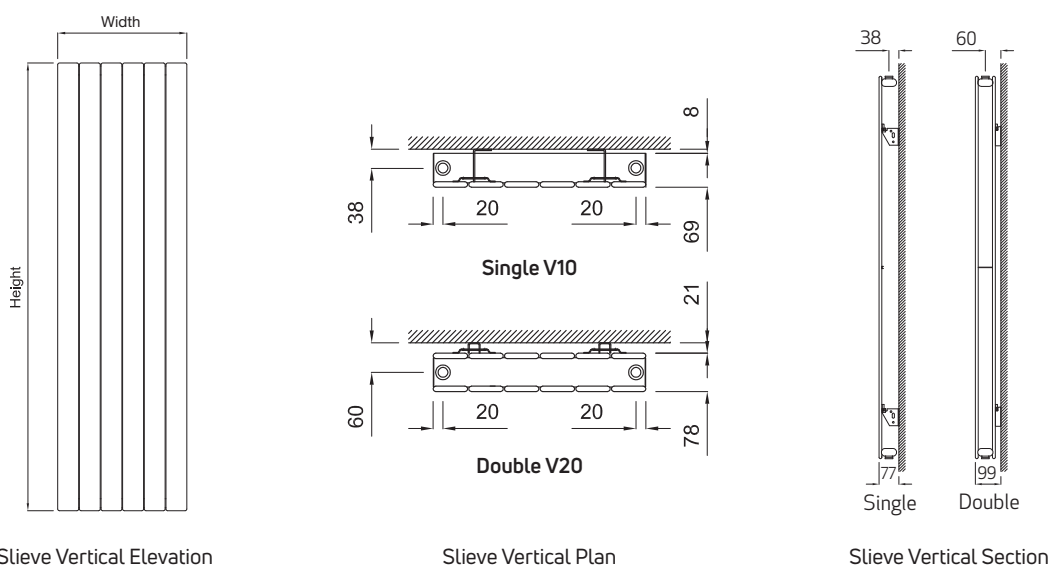
Note: the distance between the connection centres equals the length of radiator.

Slieve Vertical - Single Panel V10

| Radiator Height (mm) | 1600 | 1800 | 2000 |
|------------------------------------|------|------|------|
| Water Content Per Element/Tube (L) | 0.95 | 1.03 | 1.16 |

Slieve Vertical - Double Panel V20

| Radiator Height (mm) | 1600 | 1800 | 2000 |
|------------------------------------|------|------|------|
| Water Content Per Element/Tube (L) | 1.89 | 2.13 | 2.36 |



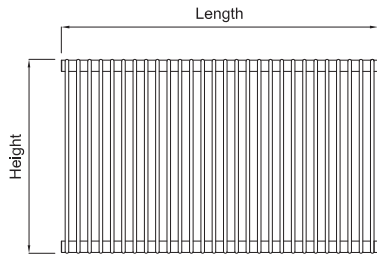
Vertical Sleeves have a factory fitted centre baffle as standard in the bottom header for Bottom Opposite End (BOE) installation only. Horizontal Sleeves are supplied without baffles and cannot be installed Top Bottom Same End (TBSE). All tappings 1/2" BSP.

All Slieve Radiators: Test Pressure: 5.2 bar Max Operating Pressure: 4 bar

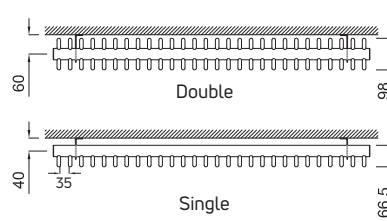
ADAGIO - DESIGN RANGE

Adagio 35 - Horizontal - Water Content (L)

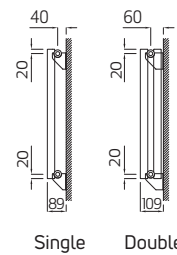
| Type | 630 | 840 | 980 | 1400 | 1995 |
|-----------|------|------|-------|-------|-------|
| 35 Single | 3.96 | 5.28 | 6.16 | 8.80 | 12.54 |
| 35 Double | - | - | 10.08 | 14.40 | 20.52 |



Adagio 35 Horizontal Elevation



Adagio 35 Horizontal - Single and Double Plan

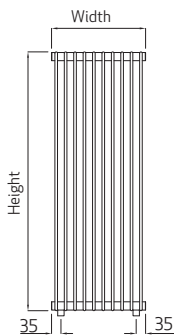


Adagio 35 Horizontal - Single and Double Section

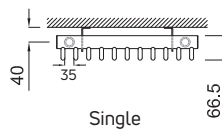
Note: the distance between the connection centres equals the length of radiator.

Adagio 35 - Vertical - Water Content Per Element /Tube (L)

| Type | Height (mm) |
|-----------|-------------|
| 35 Single | 1800 |
| | 0.59 |



Adagio 35 Vertical Elevation



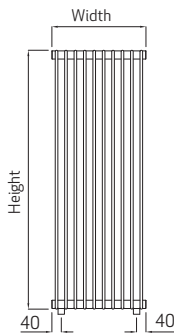
Adagio 35 Vertical Plan



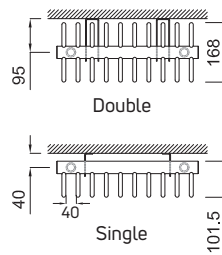
Adagio 35 Vertical Section

Adagio 70 - Vertical - Water Content Per Element /Tube (L)

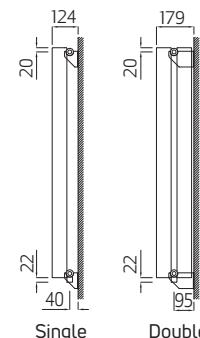
| Type | 1800 | 2000 |
|-----------|------|------|
| 70 Single | 1.00 | 1.11 |
| 70 Double | 1.94 | 2.15 |



Adagio 70 Vertical Elevation



Adagio 70 Vertical Plan



Adagio 70 Vertical Section

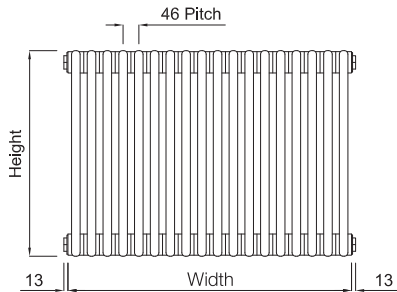
All Adagios have a factory fitted centre baffle as standard in the bottom header for Bottom Opposite End (BOE) installation only.
All tappings 1/2" BSP.

All Adagio Radiators: Test Pressure: 5.2 bar Max Operating Pressure: 4 bar

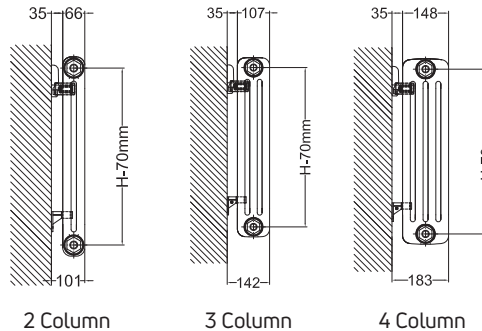
FORZA - DESIGN RANGE

Forza Horizontal - Water Content Per Section (L)

| Type | Height (mm) | | | |
|----------|-------------|------|------|------|
| | 300 | 500 | 600 | 750 |
| 2 Column | - | 0.60 | 0.70 | - |
| 3 Column | 0.60 | 0.80 | 1.00 | 1.10 |
| 4 Column | 0.80 | - | 1.20 | 1.50 |



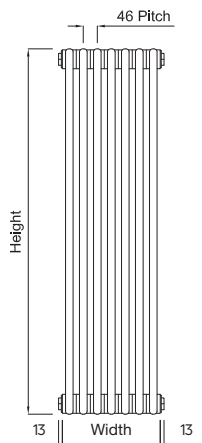
Forza Horizontal Elevation



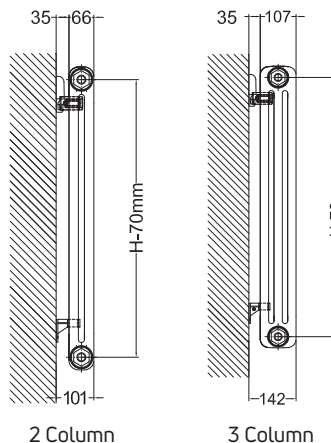
Forza Horizontal Section

Forza Vertical - Water Content Per Section (L)

| Type | Height (mm) | |
|----------|-------------|------|
| | 1800 | 2000 |
| 2 Column | 1.60 | 1.70 |
| 3 Column | - | 2.60 |



Forza Vertical Elevation



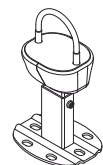
Forza Vertical Section

Forza - n-Coefficients

| Type | Height (mm) | | | | | |
|----------|-------------|--------|--------|--------|--------|--------|
| | 300 | 500 | 600 | 750 | 1800 | 2000 |
| 2 Column | - | 1.2553 | 1.2611 | - | 1.3205 | 1.3202 |
| 3 Column | 1.2495 | 1.2585 | 1.2630 | 1.2699 | - | 1.3126 |
| 4 Column | 1.2517 | - | 1.2681 | 1.2762 | - | - |

Optional Forza Foot

| Order code | Description |
|----------------|----------------------------------|
| QMCF1 | FORZA Foot 90-120 - white |
| QMCF1RAL | FORZA Foot 90-120 - coloured |
| QMCF1C1 | FORZA Foot cover - white |

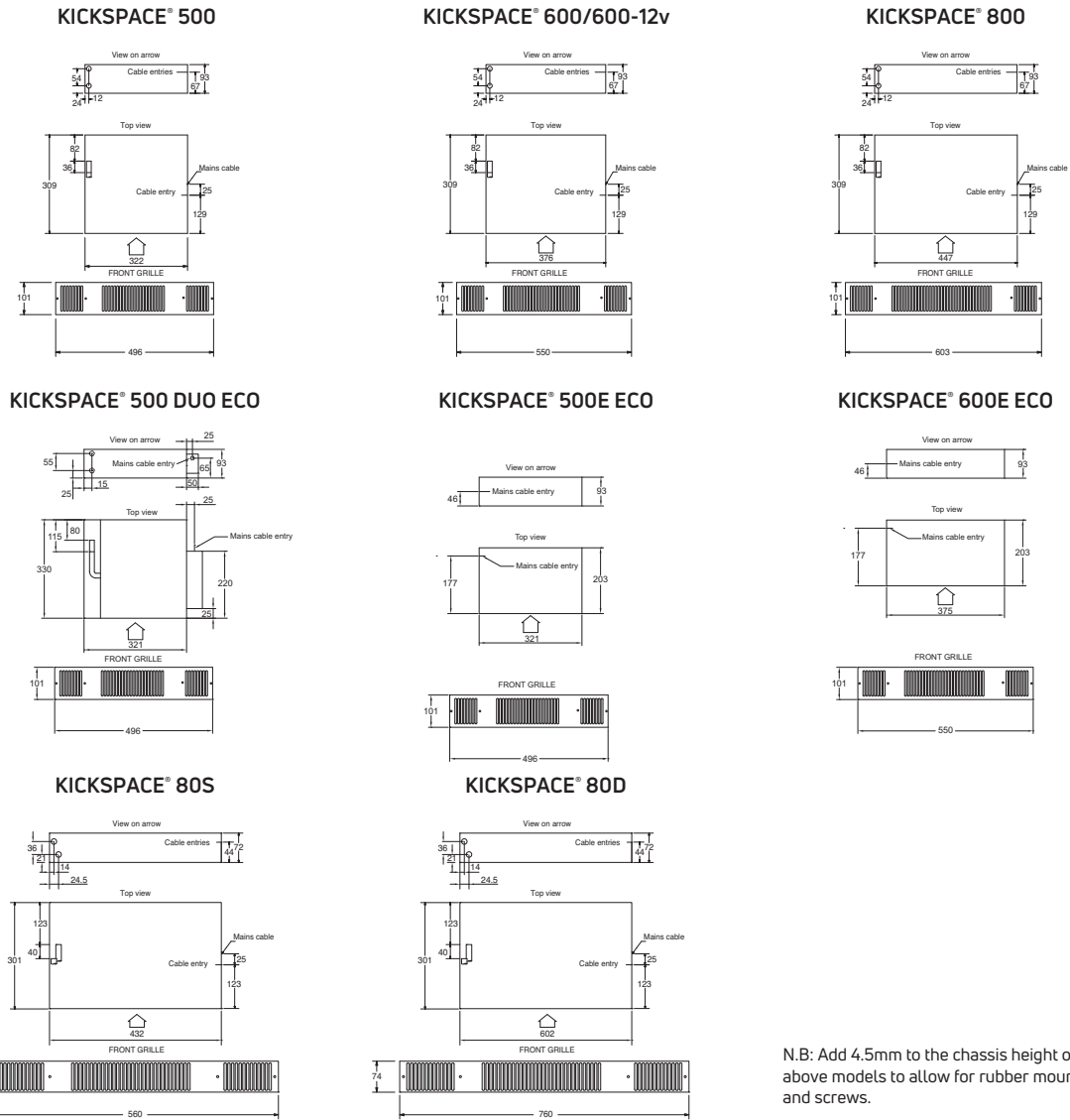


Feet are sold as single unit. Only available for radiators up to 500mm high. Indicate quantity at time of order.
Feet covered by a 2-year warranty.

Forza radiators are supplied with 1/2" BSP flow diverter to reduce "warm up" time when installed Bottom Opposite End (BOE). Cannot be installed Top Opposite End (TOE). For full width, add 26mm to the width of the radiator indicated in the pricing tables.

All Forza Radiators: Test Pressure: 13 bar Max Operating Pressure: 10 bar

Dimensions



Electric models

| | | Fan Speed | Model | |
|----------------|--------------------------------|-----------|----------|----------|
| | | | 500E ECO | 600E ECO |
| Dimensions | Nominal Height (mm) | - | 101 | 101 |
| | Nominal Depth (mm) | - | 203 | 203 |
| | Nominal Length (mm) | - | 496 | 550 |
| Sound Levels* | Sound Pressure (dBA) (at 2.5m) | Normal | 25.7 | 26.4 |
| | | Boost | 38.1 | 37.2 |
| Weight | Unit Weight (kg) | - | 3.1 | 3.6 |
| Air Flow Rates | Air Flow (m³/h) | Normal | 70 | 106 |
| | | Boost | 90 | 138 |
| | Air Flow (ft³/h) | Normal | 2471 | 3742 |
| | | Boost | 3177 | 4872 |

*Sound levels tested in accordance with EN 23741.

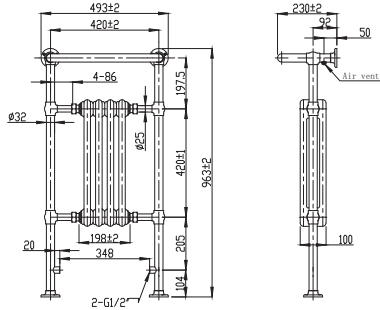
| | | ltr/h | Model | | | | | | |
|-----|-----|-------|----------------------------------|-------|-----|---------|-------------|-----|------|
| | | | 500 | 600 | 800 | 600-12V | 500 DUO ECO | 80S | 80D |
| | | | Approximate Hydraulic Resistance | mm wg | 455 | 788 | 1046 | 911 | 1046 |
| 340 | 488 | 625 | | | 544 | 625 | 488 | 372 | 439 |
| 227 | 231 | 326 | | | 258 | 326 | 231 | 207 | 295 |
| kPa | 113 | 82 | | 95 | 82 | 95 | 82 | 95 | 176 |
| | 455 | 7.7 | | 10.3 | 8.9 | 10.3 | 7.7 | 5.8 | 6.0 |
| | 340 | 4.8 | | 6.1 | 5.3 | 6.1 | 4.8 | 3.6 | 4.3 |
| | | 227 | 2.3 | 3.2 | 2.5 | 3.2 | 2.3 | 2.0 | 2.9 |
| | | 113 | 0.8 | 0.9 | 0.8 | 0.9 | 0.8 | 0.9 | 1.7 |

*Sound levels tested in accordance with EN 23741.

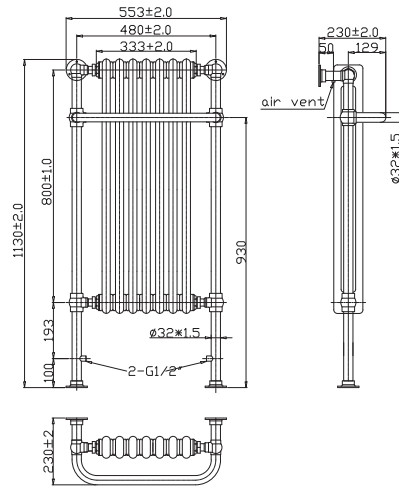
†Includes transformer.

TOWEL WARMERS

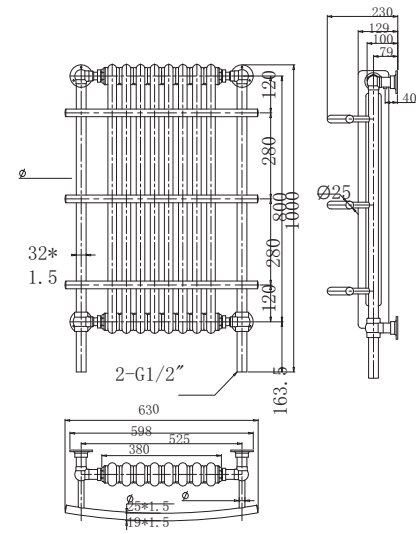
TWA



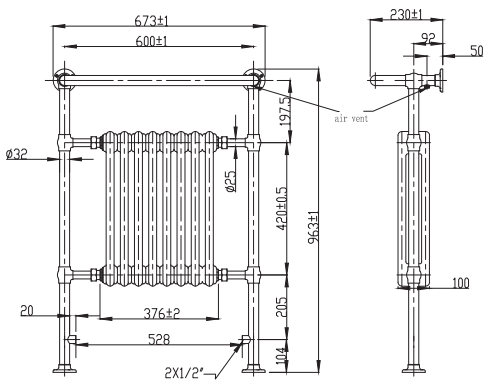
TWE



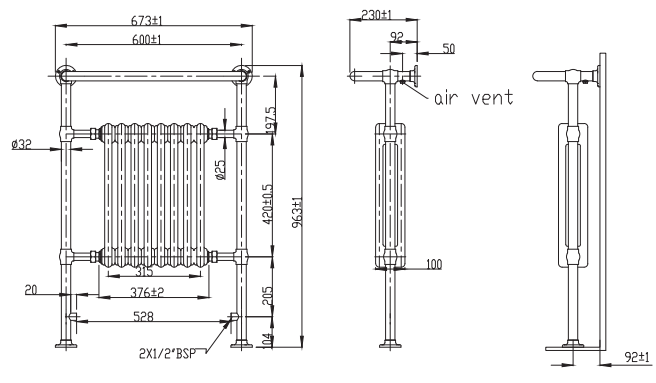
TWHTW



TWV



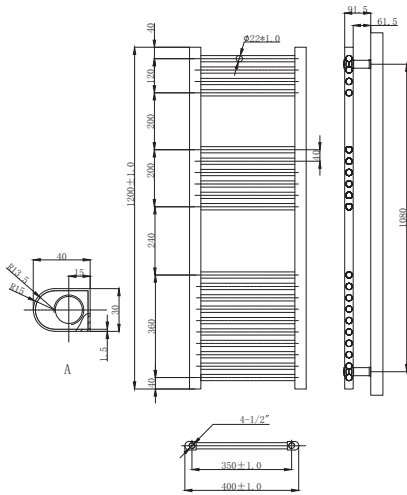
TWVBN



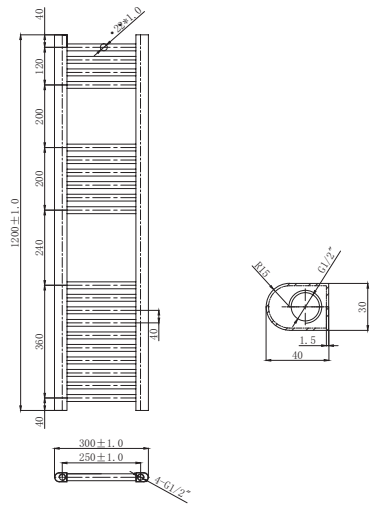
| | Height (mm) | Width (mm) | BTU | Watts | Pipe Centres |
|-------|-------------|------------|------|-------|--------------|
| TWA | 963 | 493 | 2215 | 649 | 458 |
| TWE | 1130 | 553 | 3275 | 960 | 480 |
| TWHTW | 1000 | 630 | 3780 | 1108 | 525 |
| TWV | 963 | 675 | 3520 | 1032 | 953 |
| TWVBN | 963 | 673 | 3410 | 999 | 438 |

TOWEL WARMERS

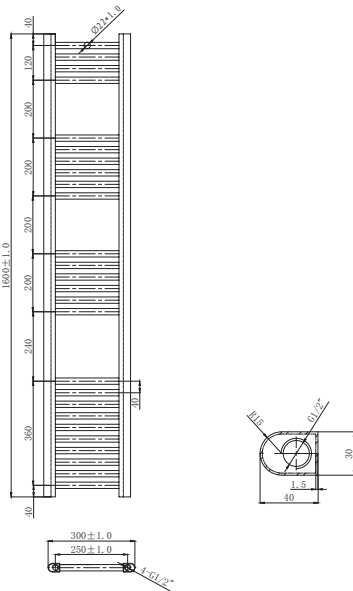
TW412S



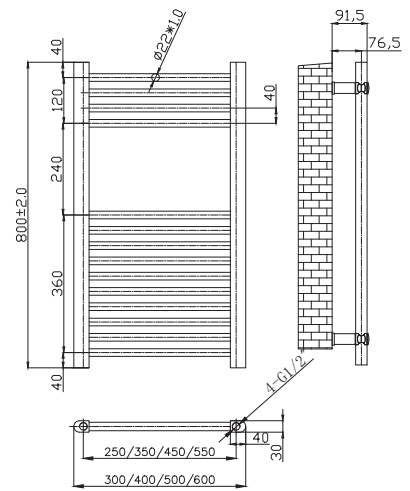
TW312S



TW316S

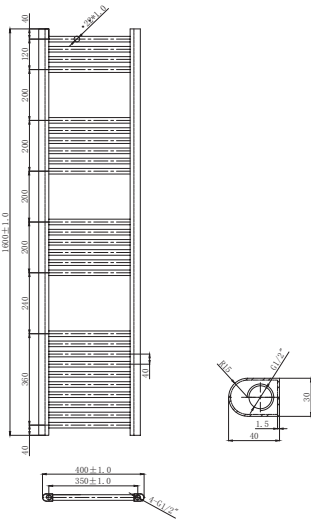


TW48S

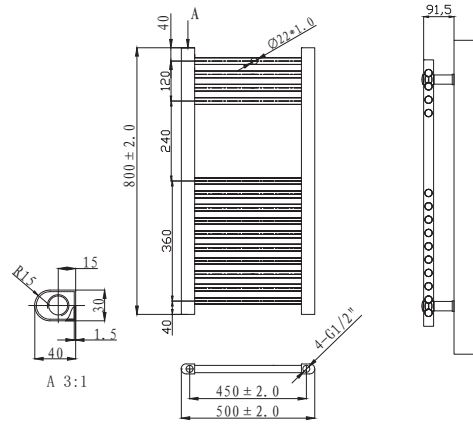


TOWEL WARMERS

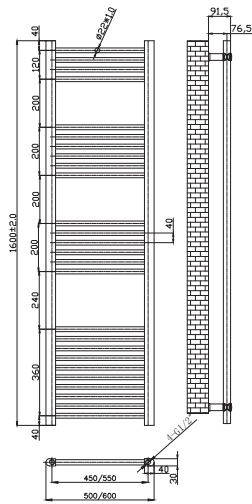
TW416S



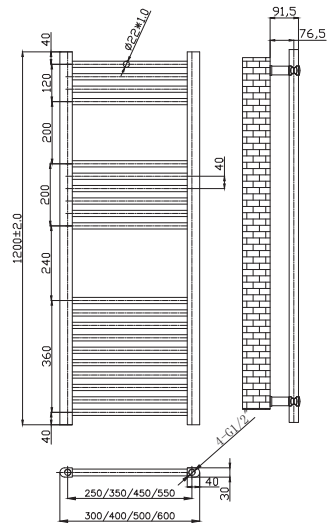
TW58S



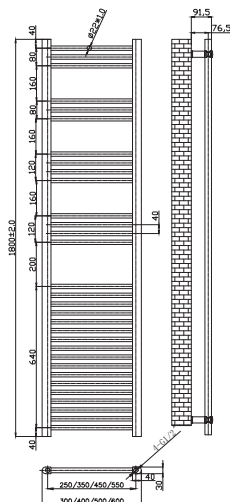
TW516S



TW512S

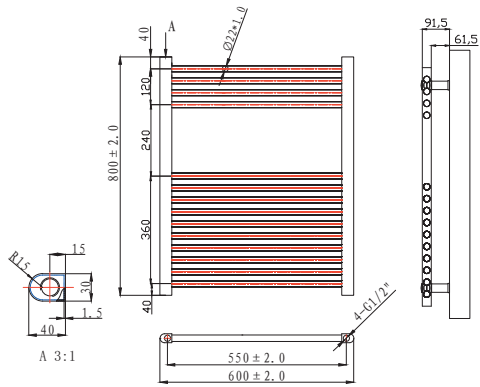


TW518S

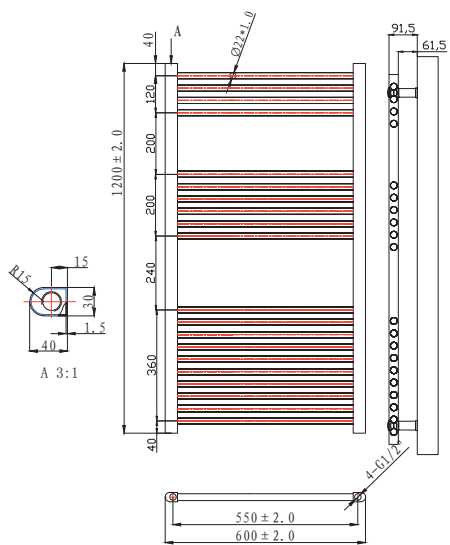


TOWEL WARMERS

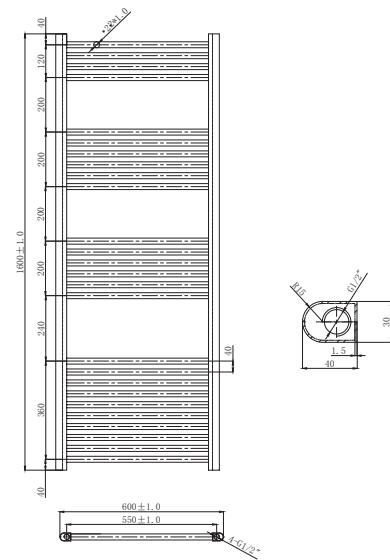
TW68S



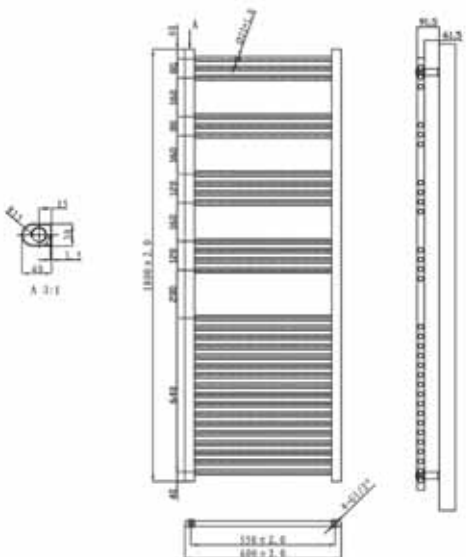
TW612S



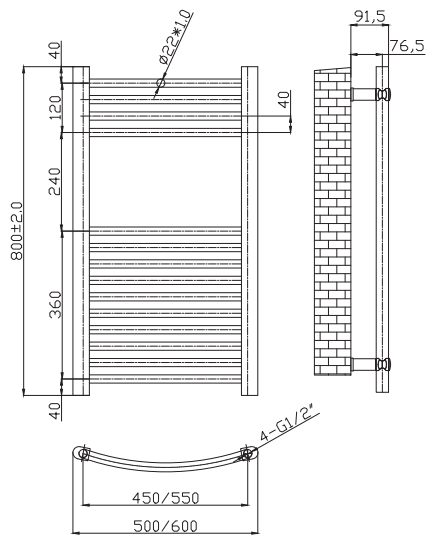
TW616S



TW618S

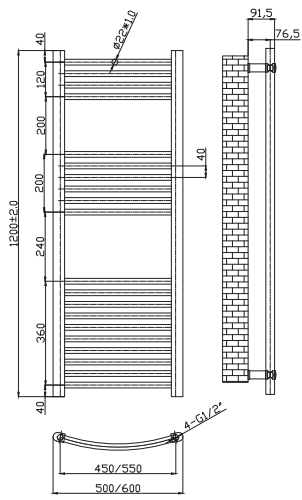


TW58C

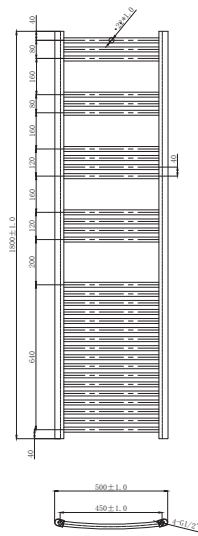


TOWEL WARMERS

TW512C

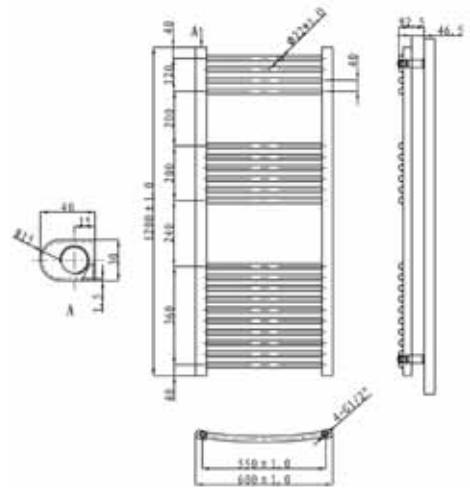
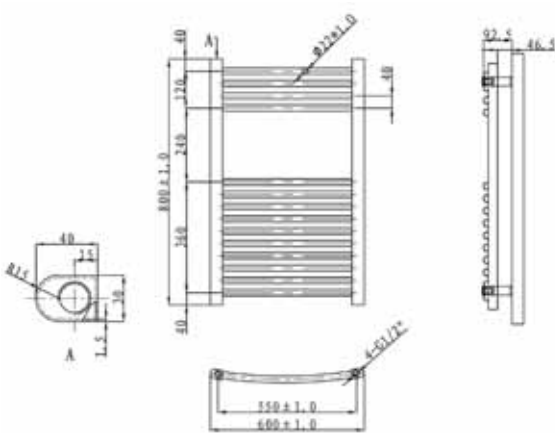


TW518C



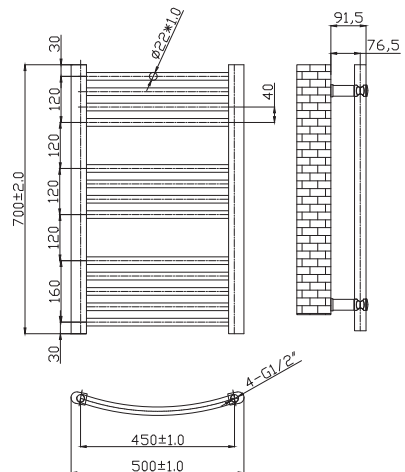
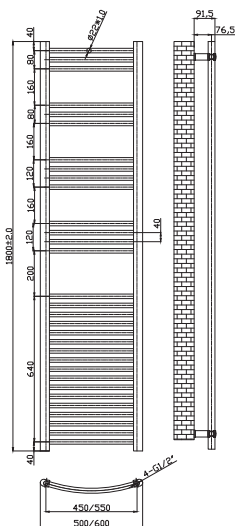
TW68C

TW612C



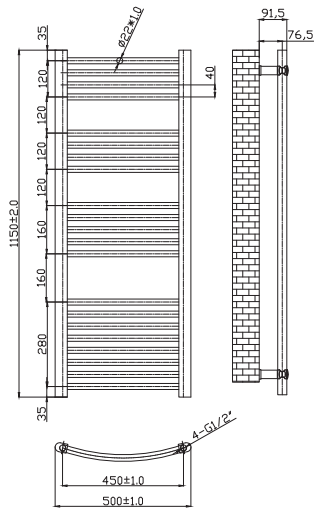
TW618C

TW57C

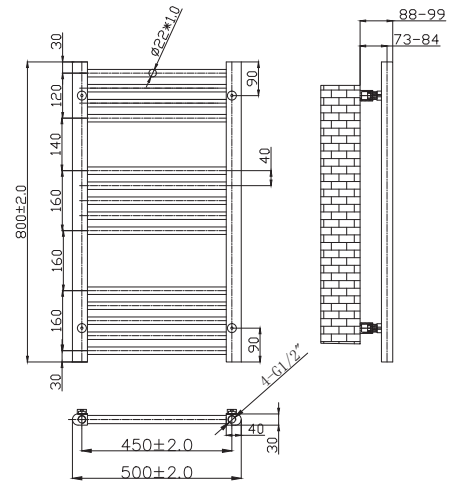


TOWEL WARMERS

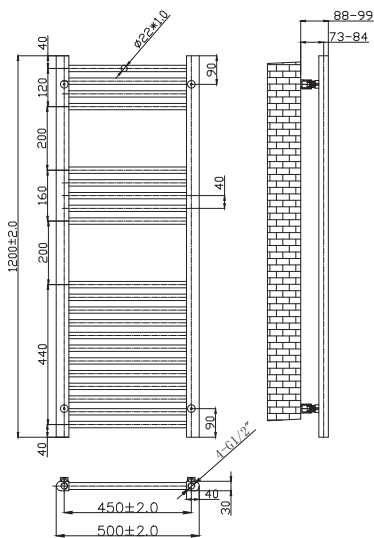
TW5115C



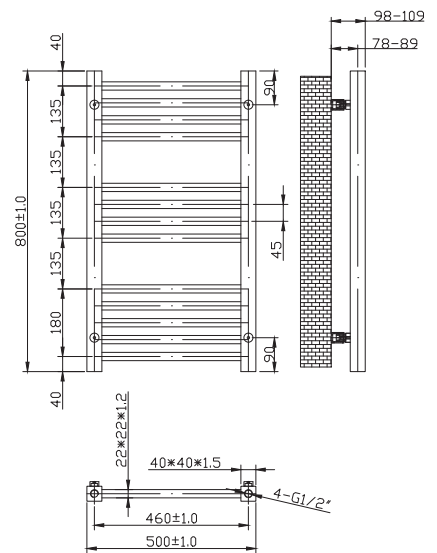
TW58SBN



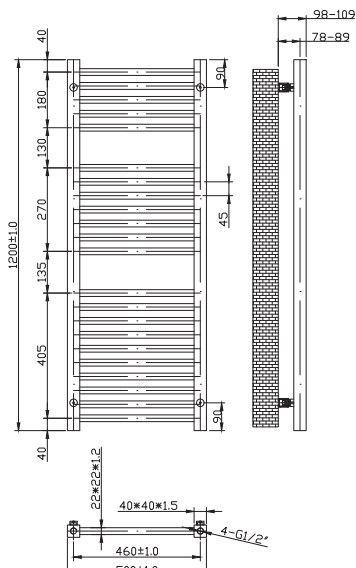
TW512SBN



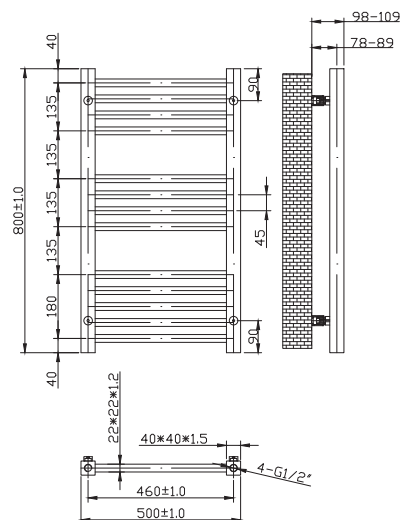
TW58SQBN



TW512SQBN

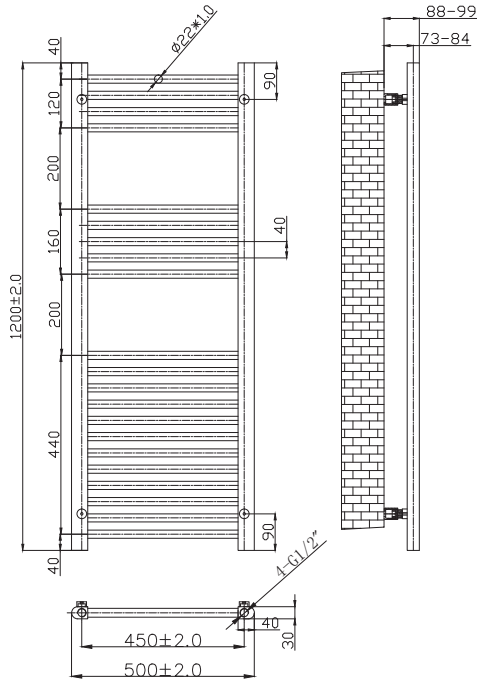


TW58SQCP



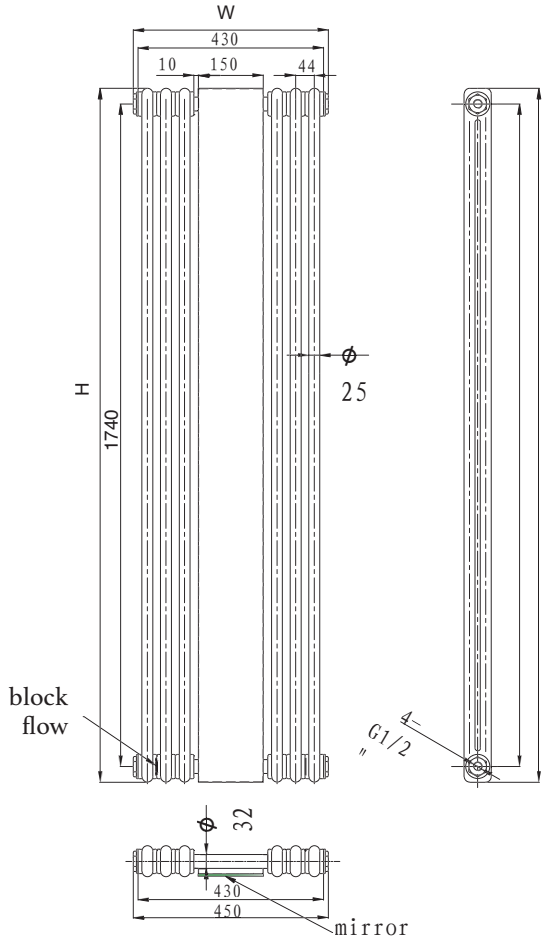
TOWEL WARMERS

TW512SQCP



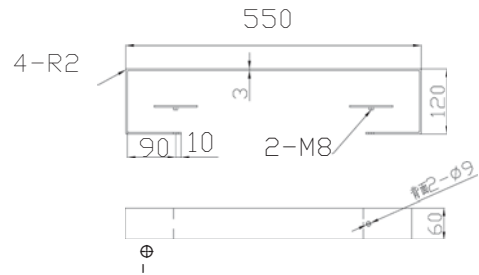
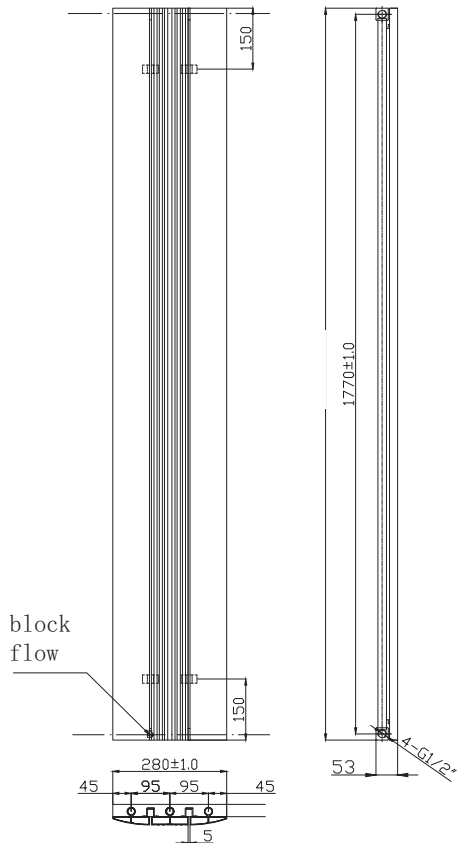
| | Height (mm) | Width (mm) | BTU | Watts | Pipe Centres |
|-----------|-------------|------------|------|-------|--------------|
| TW38S | 800 | 300 | 757 | 222 | 250 |
| TW312S | 1200 | 300 | 1098 | 322 | 250 |
| TW316S | 1600 | 300 | 1452 | 426 | 250 |
| TW48S | 800 | 400 | 870 | 255 | 350 |
| TW410S | 1000 | 400 | 1037 | 304 | 350 |
| TW412S | 1200 | 400 | 1262 | 370 | 350 |
| TW416S | 1600 | 400 | 1668 | 489 | 350 |
| TW58S | 800 | 500 | 1030 | 302 | 450 |
| TW510S | 1000 | 500 | 1218 | 357 | 450 |
| TW512S | 1200 | 500 | 1488 | 436 | 450 |
| TW516S | 1600 | 500 | 1965 | 576 | 450 |
| TW518S | 1800 | 500 | 2259 | 662 | 450 |
| TW68S | 800 | 600 | 1194 | 350 | 550 |
| TW610S | 1000 | 600 | 1409 | 413 | 550 |
| TW612S | 1200 | 600 | 1726 | 506 | 550 |
| TW616S | 1600 | 600 | 2279 | 668 | 550 |
| TW618S | 1800 | 600 | 2620 | 768 | 550 |
| TW58C | 800 | 500 | 1030 | 302 | 450 |
| TW512C | 1200 | 500 | 1488 | 436 | 450 |
| TW518C | 1800 | 500 | 2259 | 662 | 450 |
| TW68C | 800 | 600 | 1194 | 350 | 550 |
| TW612C | 1200 | 600 | 1726 | 506 | 550 |
| TW618C | 1800 | 600 | 2620 | 768 | 550 |
| TW57C | 700 | 500 | 1143 | 335 | 450 |
| TW5115C | 1150 | 500 | 1855 | 544 | 450 |
| TW58SBN | 800 | 500 | 1030 | 302 | 450 |
| TW512SBN | 1200 | 500 | 1488 | 436 | 450 |
| TW58SQBN | 800 | 500 | 918 | 269 | 460 |
| TW512SQBN | 1200 | 500 | 1493 | 438 | 460 |
| TW58SQCP | 800 | 500 | 918 | 269 | 460 |
| TW512SQCP | 1200 | 500 | 1493 | 438 | 460 |

MARIAH



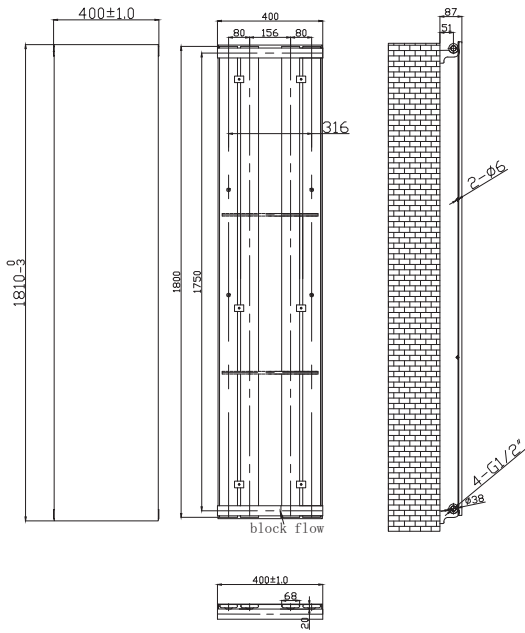
| | Height (mm) | Width (mm) | BTU | Watts | Pipe Centres |
|----------|-------------|------------|------|-------|--------------|
| DCMR418W | 1800 | 450 | 3252 | 953 | 540 |

SARA

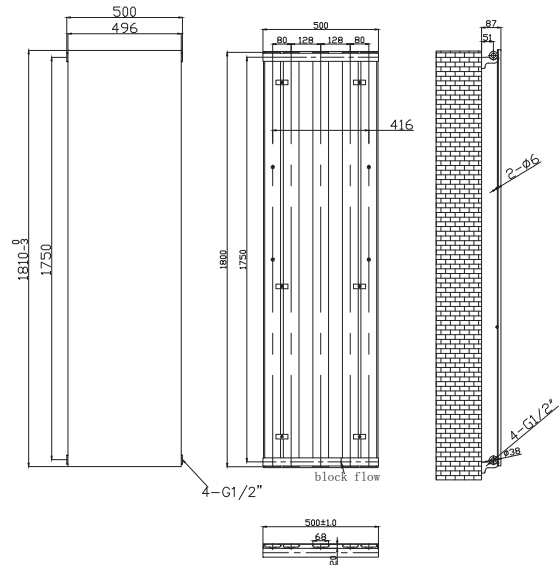


| | Height (mm) | Width (mm) | BTU | Watts | Pipe Centres |
|---------|-------------|------------|------|-------|--------------|
| VFP218W | 1800 | 280 | 2475 | 725 | 370 |
| VFP218A | 1800 | 280 | 2475 | 725 | 370 |
| VFP318W | 1800 | 375 | 3300 | 967 | 465 |
| VFP318A | 1800 | 375 | 3300 | 967 | 465 |

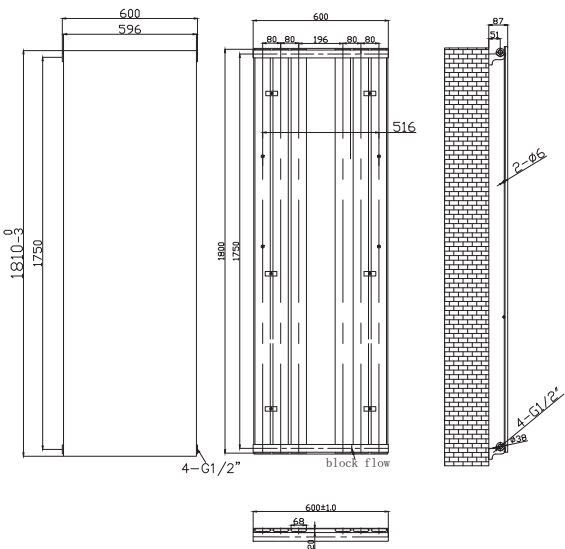
DFP418W



DFP518W



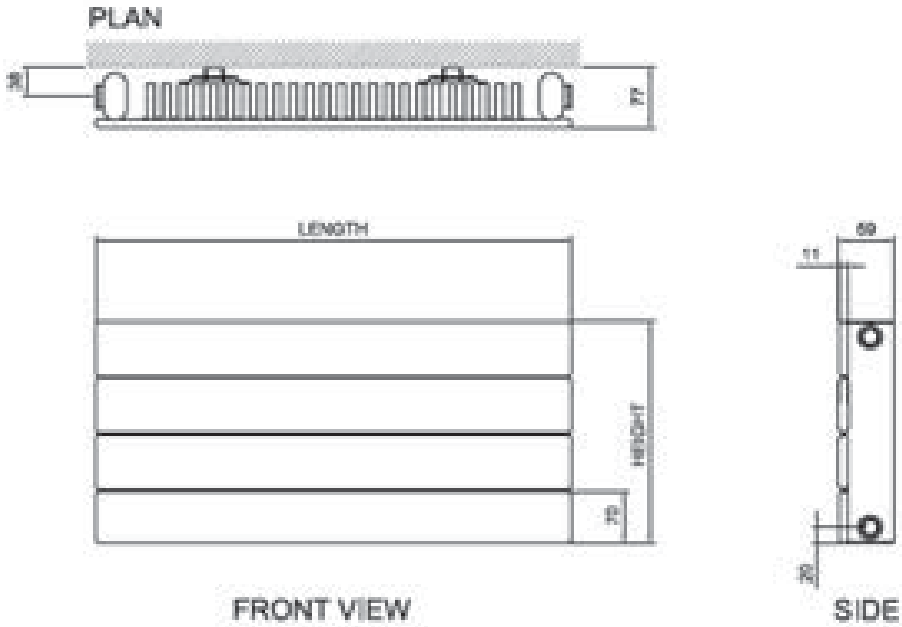
DFP618W



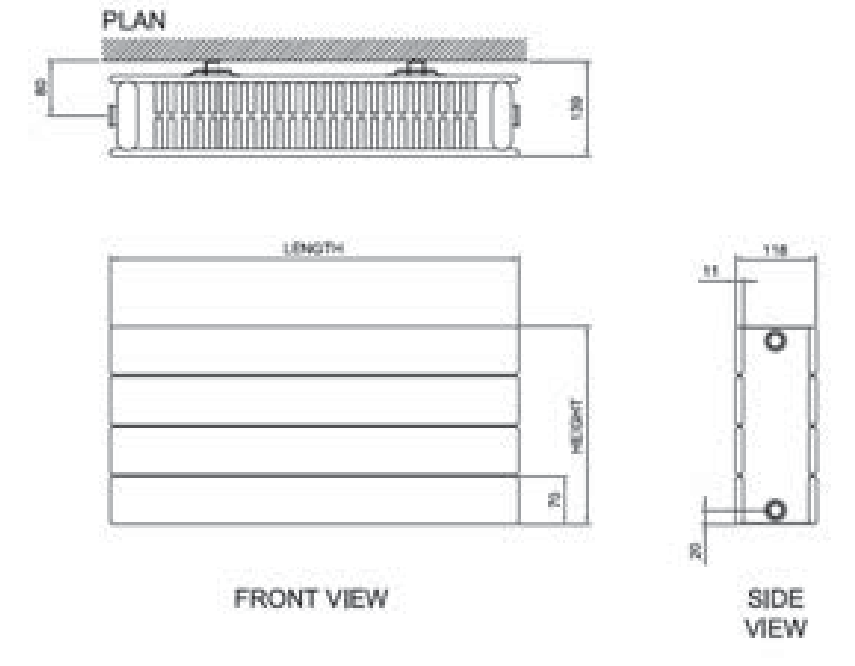
| | Height (mm) | Width (mm) | BTU | Watts | Pipe Centres |
|---------|-------------|------------|------|-------|--------------|
| DFP418W | 1800 | 400 | 1979 | 580 | 490 |
| DFP518W | 1800 | 500 | 2474 | 725 | 590 |
| DFP618W | 1800 | 600 | 2969 | 870 | 690 |
| DFP418A | 1800 | 400 | 1979 | 580 | 490 |
| DFP518A | 1800 | 500 | 2474 | 725 | 590 |
| DFP618A | 1800 | 600 | 2969 | 870 | 690 |

DECOR RADIATORS

DECOR SINGLE



DECOR DOUBLE



| Inlet temp. t_e (°C) | Room temp. t_a (°C) | Outlet temp. t_u (°C) | | | | | | | | | | | | | | | |
|------------------------|-----------------------|-------------------------|------|------|------|------|------|------|------|------|------|------|------|------|------|--|--|
| | | 25 | 30 | 35 | 40 | 45 | 50 | 55 | 60 | 65 | 70 | 75 | 80 | 85 | 90 | | |
| 95 | 24 | 4,23 | 2,29 | 1,77 | 1,48 | 1,29 | 1,15 | 1,04 | 0,96 | 0,89 | 0,83 | 0,78 | 0,73 | 0,70 | 0,66 | | |
| | 22 | 2,91 | 1,99 | 1,60 | 1,36 | 1,20 | 1,08 | 0,99 | 0,91 | 0,85 | 0,79 | 0,75 | 0,70 | 0,67 | 0,64 | | |
| | 20 | 2,35 | 1,76 | 1,46 | 1,26 | 1,13 | 1,02 | 0,93 | 0,87 | 0,81 | 0,76 | 0,72 | 0,68 | 0,64 | 0,61 | | |
| | 18 | 2,00 | 1,58 | 1,34 | 1,18 | 1,06 | 0,96 | 0,89 | 0,83 | 0,77 | 0,73 | 0,69 | 0,65 | 0,62 | 0,59 | | |
| | 15 | 1,67 | 1,38 | 1,20 | 1,07 | 0,97 | 0,89 | 0,83 | 0,77 | 0,72 | 0,68 | 0,65 | 0,62 | 0,59 | 0,56 | | |
| | 12 | 1,43 | 1,23 | 1,09 | 0,98 | 0,90 | 0,83 | 0,77 | 0,72 | 0,68 | 0,65 | 0,61 | 0,59 | 0,56 | 0,54 | | |
| 90 | 24 | 4,56 | 2,45 | 1,88 | 1,57 | 1,36 | 1,21 | 1,10 | 1,01 | 0,93 | 0,87 | 0,82 | 0,77 | 0,73 | | | |
| | 22 | 3,11 | 2,11 | 1,69 | 1,44 | 1,27 | 1,14 | 1,04 | 0,96 | 0,89 | 0,83 | 0,78 | 0,74 | 0,70 | | | |
| | 20 | 2,50 | 1,87 | 1,54 | 1,33 | 1,19 | 1,07 | 0,98 | 0,91 | 0,85 | 0,80 | 0,75 | 0,71 | 0,67 | | | |
| | 18 | 2,13 | 1,68 | 1,42 | 1,24 | 1,11 | 1,01 | 0,93 | 0,87 | 0,81 | 0,76 | 0,72 | 0,68 | 0,65 | | | |
| | 15 | 1,76 | 1,46 | 1,26 | 1,13 | 1,02 | 0,93 | 0,87 | 0,81 | 0,76 | 0,72 | 0,68 | 0,64 | 0,61 | | | |
| | 12 | 1,51 | 1,29 | 1,14 | 1,03 | 0,94 | 0,87 | 0,81 | 0,76 | 0,71 | 0,67 | 0,64 | 0,61 | 0,58 | | | |
| 85 | 24 | 4,94 | 2,63 | 2,00 | 1,67 | 1,45 | 1,29 | 1,16 | 1,07 | 0,99 | 0,92 | 0,86 | 0,81 | | | | |
| | 22 | 3,34 | 2,26 | 1,80 | 1,53 | 1,34 | 1,21 | 1,10 | 1,01 | 0,94 | 0,88 | 0,82 | 0,78 | | | | |
| | 20 | 2,67 | 1,99 | 1,64 | 1,41 | 1,25 | 1,13 | 1,04 | 0,96 | 0,89 | 0,84 | 0,79 | 0,75 | | | | |
| | 18 | 2,27 | 1,78 | 1,50 | 1,31 | 1,18 | 1,07 | 0,98 | 0,91 | 0,85 | 0,80 | 0,75 | 0,72 | | | | |
| | 15 | 1,87 | 1,54 | 1,33 | 1,19 | 1,07 | 0,98 | 0,91 | 0,85 | 0,80 | 0,75 | 0,71 | 0,67 | | | | |
| | 12 | 1,60 | 1,36 | 1,20 | 1,08 | 0,99 | 0,91 | 0,85 | 0,79 | 0,75 | 0,70 | 0,67 | 0,64 | | | | |
| 80 | 24 | 5,38 | 2,83 | 2,15 | 1,78 | 1,54 | 1,37 | 1,24 | 1,13 | 1,05 | 0,97 | 0,91 | | | | | |
| | 22 | 3,61 | 2,42 | 1,93 | 1,63 | 1,43 | 1,28 | 1,16 | 1,07 | 0,99 | 0,93 | 0,87 | | | | | |
| | 20 | 2,87 | 2,13 | 1,75 | 1,50 | 1,33 | 1,20 | 1,10 | 1,01 | 0,94 | 0,88 | 0,83 | | | | | |
| | 18 | 2,42 | 1,90 | 1,60 | 1,39 | 1,24 | 1,13 | 1,04 | 0,96 | 0,90 | 0,84 | 0,79 | | | | | |
| | 15 | 1,99 | 1,64 | 1,41 | 1,25 | 1,13 | 1,04 | 0,96 | 0,89 | 0,84 | 0,79 | 0,75 | | | | | |
| | 12 | 1,69 | 1,44 | 1,27 | 1,14 | 1,04 | 0,96 | 0,89 | 0,83 | 0,78 | 0,74 | 0,70 | | | | | |
| 75 | 24 | 5,90 | 3,07 | 2,32 | 1,92 | 1,66 | 1,47 | 1,32 | 1,21 | 1,12 | 1,04 | | | | | | |
| | 22 | 3,92 | 2,61 | 2,07 | 1,75 | 1,53 | 1,37 | 1,24 | 1,14 | 1,05 | 0,98 | | | | | | |
| | 20 | 3,10 | 2,28 | 1,87 | 1,61 | 1,42 | 1,28 | 1,17 | 1,08 | 1,00 | 0,94 | | | | | | |
| | 18 | 2,61 | 2,03 | 1,70 | 1,48 | 1,32 | 1,20 | 1,10 | 1,02 | 0,95 | 0,89 | | | | | | |
| | 15 | 2,13 | 1,75 | 1,50 | 1,33 | 1,20 | 1,10 | 1,01 | 0,94 | 0,88 | 0,83 | | | | | | |
| | 12 | 1,80 | 1,53 | 1,34 | 1,21 | 1,10 | 1,01 | 0,94 | 0,88 | 0,82 | 0,78 | | | | | | |
| 70 | 24 | 6,54 | 3,36 | 2,52 | 2,08 | 1,79 | 1,58 | 1,42 | 1,30 | 1,19 | | | | | | | |
| | 22 | 4,30 | 2,84 | 2,24 | 1,89 | 1,64 | 1,47 | 1,33 | 1,22 | 1,13 | | | | | | | |
| | 20 | 3,38 | 2,47 | 2,02 | 1,73 | 1,52 | 1,37 | 1,25 | 1,15 | 1,07 | | | | | | | |
| | 18 | 2,82 | 2,19 | 1,83 | 1,59 | 1,42 | 1,28 | 1,17 | 1,08 | 1,01 | | | | | | | |
| | 15 | 2,28 | 1,87 | 1,61 | 1,42 | 1,28 | 1,17 | 1,08 | 1,00 | 0,94 | | | | | | | |
| | 12 | 1,93 | 1,63 | 1,43 | 1,28 | 1,16 | 1,07 | 0,99 | 0,93 | 0,87 | | | | | | | |
| 65 | 24 | 7,33 | 3,70 | 2,76 | 2,27 | 1,94 | 1,71 | 1,54 | 1,40 | | | | | | | | |
| | 22 | 4,75 | 3,11 | 2,44 | 2,05 | 1,78 | 1,59 | 1,43 | 1,31 | | | | | | | | |
| | 20 | 3,70 | 2,69 | 2,19 | 1,87 | 1,64 | 1,47 | 1,34 | 1,23 | | | | | | | | |
| | 18 | 3,07 | 2,37 | 1,98 | 1,71 | 1,52 | 1,37 | 1,26 | 1,16 | | | | | | | | |
| | 15 | 2,47 | 2,02 | 1,73 | 1,52 | 1,37 | 1,25 | 1,15 | 1,07 | | | | | | | | |
| | 12 | 2,07 | 1,75 | 1,53 | 1,37 | 1,24 | 1,14 | 1,05 | 0,98 | | | | | | | | |
| 60 | 24 | | 4,13 | 3,06 | 2,50 | 2,13 | 1,87 | 1,68 | | | | | | | | | |
| | 22 | 5,32 | 3,44 | 2,69 | 2,24 | 1,94 | 1,73 | 1,56 | | | | | | | | | |
| | 20 | 4,10 | 2,96 | 2,39 | 2,03 | 1,78 | 1,60 | 1,45 | | | | | | | | | |
| | 18 | 3,38 | 2,59 | 2,15 | 1,86 | 1,65 | 1,48 | 1,36 | | | | | | | | | |
| | 15 | 2,69 | 2,19 | 1,87 | 1,64 | 1,47 | 1,34 | 1,23 | | | | | | | | | |
| | 12 | 2,24 | 1,89 | 1,64 | 1,47 | 1,33 | 1,22 | 1,13 | | | | | | | | | |
| 55 | 24 | | 4,67 | 3,43 | 2,78 | 2,37 | 2,07 | | | | | | | | | | |
| | 22 | 6,03 | 3,86 | 2,99 | 2,48 | 2,15 | 1,90 | | | | | | | | | | |
| | 20 | 4,60 | 3,29 | 2,64 | 2,24 | 1,96 | 1,75 | | | | | | | | | | |
| | 18 | 3,75 | 2,86 | 2,36 | 2,03 | 1,80 | 1,62 | | | | | | | | | | |
| | 15 | 2,96 | 2,39 | 2,03 | 1,78 | 1,60 | 1,45 | | | | | | | | | | |
| | 12 | 2,44 | 2,05 | 1,78 | 1,59 | 1,43 | 1,31 | | | | | | | | | | |
| 50 | 24 | | 5,39 | 3,92 | 3,15 | 2,67 | | | | | | | | | | | |
| | 22 | 6,97 | 4,39 | 3,38 | 2,79 | 2,40 | | | | | | | | | | | |
| | 20 | 5,23 | 3,70 | 2,96 | 2,50 | 2,17 | | | | | | | | | | | |
| | 18 | 4,22 | 3,20 | 2,63 | 2,25 | 1,98 | | | | | | | | | | | |
| | 15 | 3,29 | 2,64 | 2,24 | 1,96 | 1,75 | | | | | | | | | | | |
| | 12 | 2,69 | 2,24 | 1,94 | 1,73 | 1,56 | | | | | | | | | | | |
| 45 | 24 | | 6,38 | 4,58 | 3,66 | | | | | | | | | | | | |
| | 22 | | 5,11 | 3,89 | 3,19 | | | | | | | | | | | | |
| | 20 | 6,08 | 4,25 | 3,37 | 2,83 | | | | | | | | | | | | |
| | 18 | 4,84 | 3,63 | 2,96 | 2,53 | | | | | | | | | | | | |
| | 15 | 3,70 | 2,96 | 2,50 | 2,17 | | | | | | | | | | | | |
| | 12 | 2,99 | 2,48 | 2,15 | 1,90 | | | | | | | | | | | | |
| 40 | 24 | | 7,87 | 5,54 | | | | | | | | | | | | | |
| | 22 | | 6,14 | 4,62 | | | | | | | | | | | | | |
| | 20 | 7,28 | 5,01 | 3,93 | | | | | | | | | | | | | |
| | 18 | 5,68 | 4,21 | 3,41 | | | | | | | | | | | | | |
| | 15 | 4,25 | 3,37 | 2,83 | | | | | | | | | | | | | |
| | 12 | 3,38 | 2,79 | 2,40 | | | | | | | | | | | | | |
| | | 25 | 30 | 35 | 40 | 45 | 50 | 55 | 60 | 65 | 70 | 75 | 80 | 85 | 90 | | |

CORRECTION FACTOR FOR THE CALCULATION OF THE HEAT OUTPUT FOR THE DIFFERENT

ΔT VALUES - IT APPLIES TO CONVENTIONAL AND LOW-TEMPERATURE SYSTEMS

The temperature values of:

- fluid delivery t_e
 - fluid return t_u
 - the room t_a
- shown in the table determine together the correction factor F.

To calculate the heat output in compliance with EN 442 Q_n , multiply the thermal

need, Q_f for the correction factor F.

$$Q_n = Q_f \cdot F$$

Q_n = heat output in compliance with EN 442
 $t_m = 70$ °C (75/65),
 $t_a = 20$ °C

Q_f = thermal need

F = correction factor as shown in the table

EXAMPLE

In the following two cases the thermal needs is = Qf 830 Watt:

Case A

Conventional system

$t_e = 80$ °C; $t_u = 70$ °C; $t_a = 18$ °C Correction factor F = 0,84

(in the table)

$$Q_n = Q_f \cdot F = 830 \cdot 0,84 = 697\text{ W}$$

It is possible to choose: Mod. 11/800/0500 = 737 W Mod. 11/400/0900 = 747 W Mod. 22/500/0400 = 715 W

Case B

For low-temperature NT system

$t_e = 60$ °C; $t_u = 50$ °C; $t_a = 20$ °C Correction factor F = 1,60

(in the table)

$$Q_n = Q_f \cdot F = 830 \cdot 1,60 = 1328\text{ W}$$

It is possible to choose: Mod. 21/600/1600 =1358 W Mod. 22/600/1200 =1343 W

| Exponent "n" IMAS | | | |
|----------------------|------|------|-----------|
| Показатель "n" IMAS | | | |
| "EkspONENT" "n" IMAS | | | |
| Mod | 11K | 21K | 22K 33K |
| H | | | |
| 300 | - | - | 1,31 1,31 |
| 400 | 1,28 | - | 1,32 1,32 |
| 500 | 1,29 | 1,30 | 1,33 1,34 |
| 600 | 1,31 | 1,30 | 1,35 1,36 |
| 800 | 1,32 | 1,33 | 1,38 1,36 |
| 900 | 1,33 | 1,33 | 1,38 1,38 |

NOTES

All prices are recommended retail and include VAT at the current rate.
The prices and specifications shown within this catalogue are for information
purposes only and as we continually update our products, they may be subject to
change without prior notice.E&OE.
The images/photgraphs included are for guidance purposes only and are limited
to the constraints of the printing process.



Where Comfort Meets Style...

NIKO 
HEATING Uppercross Enterprises Ltd



 
MYSON PURMO



Broomhill Business Complex,
Broomhill Road, Tallaght
Dublin 24, D24VP80
01 400 0000



sales@uel.ie



www.uel.ie

